

# Reggio II Bulkhead

*Exterior Bulkheads*



Data Sheet

## Product Information

The Reggio II Bulkheads are available with microwave sensor making them ideal for external applications where presence detection is required for security and safety reasons.

This range is available in two versions a plain open diffuser and an Eyelid version which prevents up-lighting.

## Product Features

- 2 year warranty
- IP65/IK10
- 18w 4000K LED
- Available to order with microwave sensor
- Emergency options available
- CRI: Ra86
- Rear Cable Entry Only
- Life Expectancy of up to 30,000hrs

# Product Specification

Product Code	Product Description	Wattage (W)	CCT (K)	Lumens (lm)	CRI (Ra)	Energy Efficiency Class	Protection Class
KSRSF270	Reggio II 18w 4000K LED Plain Cast Bulkhead	18w	4000	1100	86	A+	I
KSRSF271	Reggio II 18w 4000K LED Emergency Plain Cast Bulkhead	18w	4000	1100	86	A+	I
KSRSF272	Reggio II 18w 4000K LED Plain Cast Bulkhead with Microwave Sensor	18w	4000	1100	86	A+	I
KSRSF273	Reggio II 18w 4000K LED Eyelid Cast Bulkhead	18w	4000	670	86	A+	I
KSRSF274	Reggio II 18w 4000K LED Emergency Eyelid Cast Bulkhead	18w	4000	670	86	A+	I
KSRSF275	Reggio II 18w 4000K LED Eyelid Cast Bulkhead with Microwave Sensor	18w	4000	670	86	A+	I

Nominal voltage	220~240VAC
Operating frequency	50/60Hz
Circuit Wattage	18w including driver losses
Circuit Current	0.25A
Driver mA Rating	370mA
PFC	0.98
In Rush Current	0.6A Max Peak
Ambient temperature range	-20°C~ to +50°C
IP rating	65

## Emergency Parameters

Nominal voltage	220~240VAC
Operating frequency	50/60Hz
Parasitic Power	<1w
Circuit Wattage Range	2w
Discharge Current	400mA
Charge Current	105mA
Cells	Li-ION Cell Pack 4 hours Max Operating
Operating temperature range	-20°C~ to +50°C

## Construction

Body: Cast Aluminium  
 Diffuser: Opal Polycarbonate

## Standards

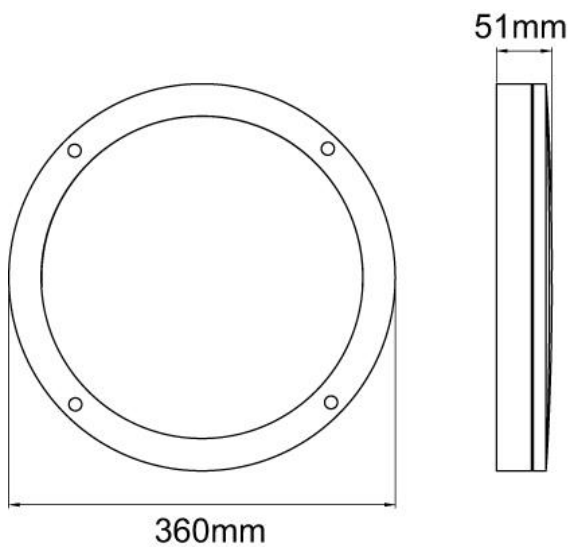
BSEN60598-1:2015 Luminaires – Part 1: General requirements and tests  
 BSEN60598-2-22:2014 Luminaires – Part 2 – Luminaires for Emergency Lighting

## In Conformity with

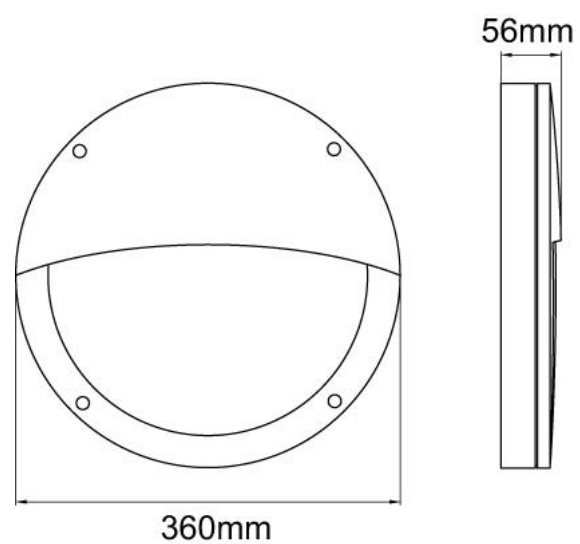
LVD	Low voltage directive 2014/35/EU
EMC	Electromagnetic compatibility directive 2014/30/EU
ERP	Energy related products directive 2009/125/EC
RoHS	Restriction of hazardous substances 2011/65/EU

## Product Dimensions

**KRSRF230**



**KRSRF231**



KSR Lighting is constantly developing and improving its products. For this reason, all product descriptions in this data sheet are intended as a general guide, and KSR may change specifications from time to time in the interest of product development, without prior notification or public announcement. All descriptions in this data sheet present only general particulars of the goods to which they refer and shall not form part of any contract. Data in this guide has been obtained in controlled experimental conditions. However, KSR Lighting cannot accept any liability arising from the reliance on such data to the extent permitted.