

Available finish:- Black

Read these instructions before commencing installation & retain them for future reference.

IP44   240V 10W

Important Information

It is recommended that luminaires are installed by a qualified electrician. The installation of this product must comply with the current edition of the IEE wiring regulations BS7671.

These products are designed for connection to a 240V 50Hz supply. Any damaged parts should be replaced as soon as possible.

KSR will not accept responsibility for any claims arising from a poor installation.

Important User Advice

Always switch off mains supply before installation or servicing.

KSR recommends a maintenance schedule of washing down with soapy water (no abrasive cleaners) and greasing all screws every 3 months.

Installation Details

Remove and retain the 2 screws holding the back plate to the wall light (located top and bottom of the fitting).

Remove the single screw and retain to the cable housing.

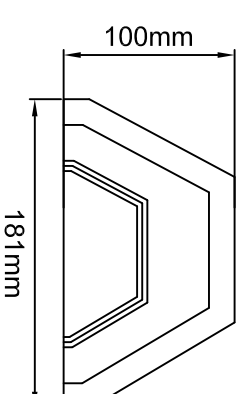
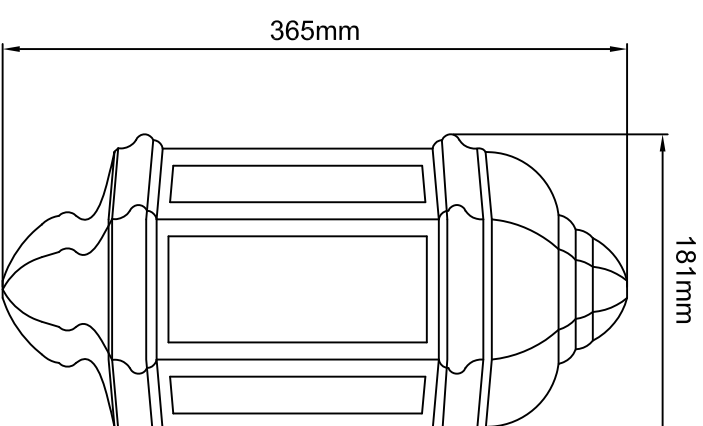
Fix the plastic back plate to wall using suitable fixings for the substrate ensuring that it is installed with the arrow pointing up.

Connect the supply to the terminal block: Brown (Live) and Blue (Neutral) as per Fig. 1.

Refit the cable housing.

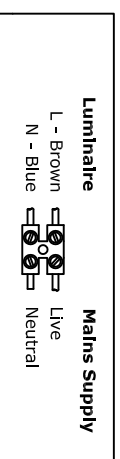
Attach the wall light to the plastic plate using the 2 screws you retained earlier.

Switch on supply and test.



KSR1151

Fig. 1



Lamp Details

Light Source: Dedicated LED
 Wattage: 10W
 Lumen Output: 400 Lumens
 CRI: 82
 Colour: 4000K

KSR Lighting After-sales: 023 92 674343

E-mail: info@ksr-lighting.co.uk