

**Read these instructions before commencing installation & retain them for future reference.**

**IP44 ☐ CE 240V 7W**

**Important Information**

It is recommended that these lanterns are installed by a qualified electrician ensuring the installation complies to current IEE wiring regulations & local building control.

These products are designed for connection to a 240V 50Hz supply.

Any broken or damaged parts should be replaced as soon as possible.

KSR will not accept responsibility for any claims arising from a poor installation.

**Important User Advice**

Always switch off mains supply before servicing, fitting or replacing lamps.

KSR recommends a maintenance schedule of washing down with soapy water (no abrasive cleaners) and greasing all nuts/bolts/screws every 3 months.

**Installation Procedure**

KSR recommends that you familiarize yourself with the installation. Once you are completely satisfied:

Ensure the mains supply is off.

Remove the nuts and sealing washers from the base and retain (Fig. 1).

Remove luminaire from base, pass the supply cable through the grommet in the base and fix the base using suitable fixings for the substrate.

Connect the luminaire to the supply (Blue-Neutral, Brown-Live).

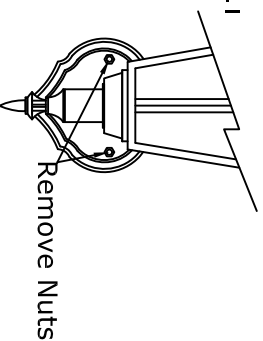
Grease the base bolts.

Fix luminaire to the base using the sealing washers and nuts.

Turn on the mains supply to test the luminaire.

KSR1154 the PIR can be adjusted for LUX levels and TIME by turning the adjusters on the base (one each side) of the fitting (Fig. 2). Do not force the adjusters.

Fig. 1



Available Finishes: Black or White

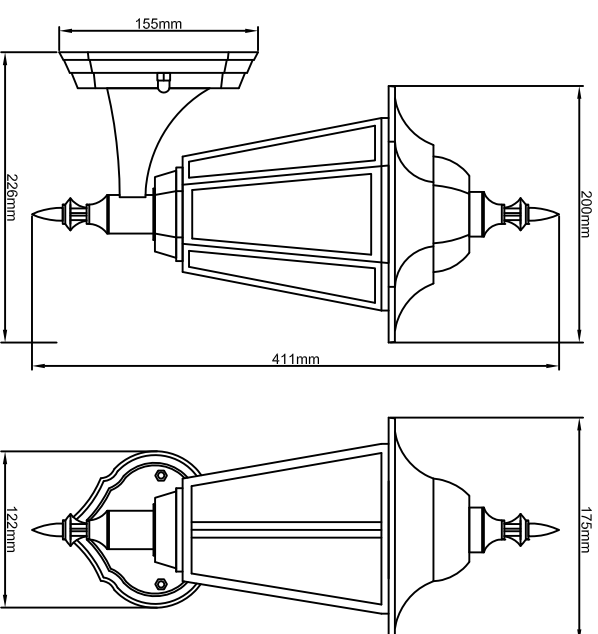
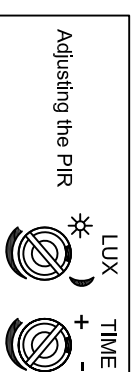


Fig. 2



**Lamp/PIR Details**

Light Source: Dedicated LED  
 Wattage: 7W  
 Lumen Output: 370 Lumens  
 CRI: 84  
 Colour: 4000K  
 Detection Angle: 130°  
 Time Adjustment: Min. 5 seconds ~ 5 Minutes Max.  
 Lux Adjustment: Min: 5 lux ~ 2000 lux Max.  
 Detection Range: 0-12m

KSR Lighting Attersales: 023 92 674343  
 E-mail: [info@ksr-lighting.co.uk](mailto:info@ksr-lighting.co.uk)

