



**Read these instructions before commencing installation & retain them for future reference.**

**IP44 ☐ CE 240V 10W**

**Important Information**

It is recommended that luminaires are installed by a qualified electrician. The installation of this product must comply with the current edition of the IEE wiring regulations BS7671. These products are designed for connection to a 240V 50Hz supply. Any damaged parts should be replaced as soon as possible. KSR will not accept responsibility for any claims arising from a poor installation.

**Important User Advice**

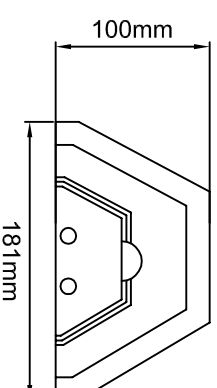
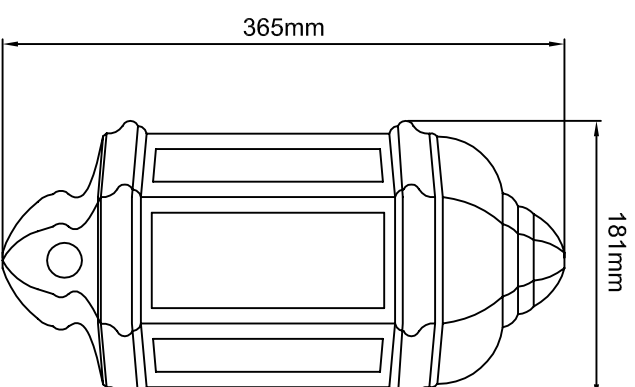
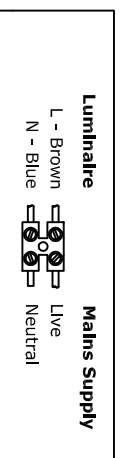
Always switch off mains supply before installation or servicing. KSR recommends a maintenance schedule of washing down with soapy water (no abrasive cleaners) and greasing all screws every 3 months.

**Installation Details**

Remove and retain the 2 screws holding the back plate to the wall light (located top and bottom of the fitting).  
 Remove the single screw and retain to the cable housing.  
 Fix the plastic back plate to wall using suitable fixings for the substrate ensuring that it is installed with the arrow pointing up.  
 Dress your supply cable through the grommet on the terminal cover.  
 Connect the supply to the terminal block: Brown (Live) and Blue (Neutral) as per Fig. 1.  
 Refit the cable housing.  
 Attach the front cover to the base plate using the 2 screws you retained earlier.  
 Switch on supply, test and adjust PIR.  
**NOTE:** To set up the PIR adjust the Lux control to the 'sun' setting and cover the sensor with your hand to activate the light, repeat until the desired 'ON' time is found.

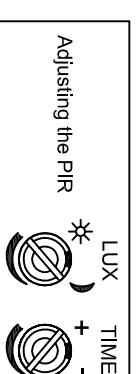
The luminaire will come on at 100% and remain at this level until the PIR times out when the output will drop to 15% of full output. It will remain at 15% until the sensor is triggered by movement.

Fig. 1



**KSR1157**

Fig. 2



**Lamp/PIR Details**

Light Source: Dedicated LED  
 Wattage: 10W  
 Lumen Output: 400 Lumens  
 CRI: 82  
 Colour: 4000K  
 Detection Angle: 130°  
 Time Adjustment: Min. 5 seconds ~ 5 Minutes Max.  
 Lux Adjustment: Min: 5 lux ~ 2000 lux Max.  
 Detection Range: 0-12m

KSR Lighting Attersales: 023 922 674343  
 E-mail: [info@ksr-lighting.co.uk](mailto:info@ksr-lighting.co.uk)