



Read these instructions before commencing installation & retain them for future reference.

IP65 **CE** **240V 28W IK10**

These fittings are Class I and must be Earthed

Important Information

It is recommended that luminaires are installed and fitted by a qualified electrician ensuring the installation complies to current IEE wiring regulations & local building control. Any damaged parts should be replaced as soon as possible. KSR will not accept responsibility for any claims arising from a sub-standard installation.

Important User Advice

Always switch off mains supply before servicing.
The working ambient temperature should be -20°C ~ +40°C if outside these ranges life span will be effected (reduced).

Installation Procedure

KSR recommend that you familiarize yourself with the connections.
Turn off mains supply.
Remove the 7 screws that hold the front to the back, retaining the screws. (Fig. 1)
Open the luminaire; secure the luminaire using suitable fixings for the substrate.
Using a suitable cable gland pass the supply cable through the cable gland and terminate the supply cable into the terminal block (Neutral - Blue, Earth - Green/Yellow and Live - Brown)
Re-fit the front using the retained screws, ensuring the seal is in place and clean.
Turn on mains supply and test.
The KSR1166 has a dusk to dawn photocell this will turn the luminaire on at dusk and switches it off at dawn. It will not detect movement but will continually illuminate the area.

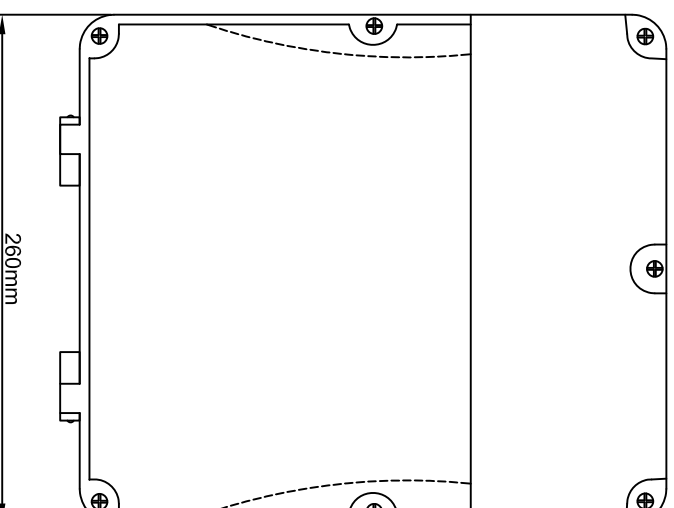
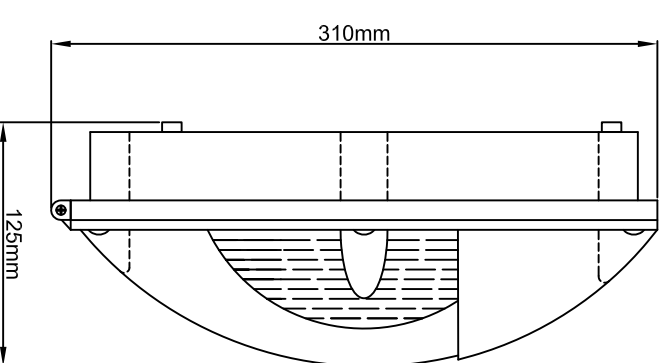
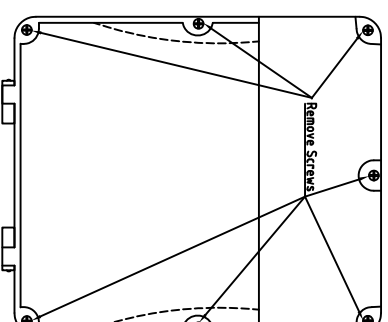


Fig. 1



Lamp Details

Lamp Cap: N/A
Lumen Output: 2031 lumens
Colour: 4000K
CRI: Ra83,2
Power Consumption: 28W

KSR Lighting After-sales: 023 92 674343

E-mail: info@ksr-lighting.co.uk

Product Information