



Read these instructions before commencing installation & retain them for future reference.

IP66 □ CE 0.3m 240V 12W IK08

**Important Information**

It is recommended that luminaires are installed and fitted by a qualified electrician ensuring the installation complies to current IEE wiring regulations & local building control. These products are designed for connection to a 240V 50Hz supply. Any broken or damaged parts should be replaced as soon as possible. KSR will not accept responsibility for any claims arising from a poor installation.

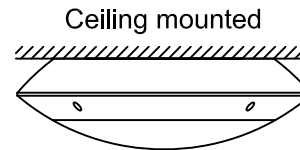
**Important User Advice**

Always switch off mains supply before fitting or servicing.

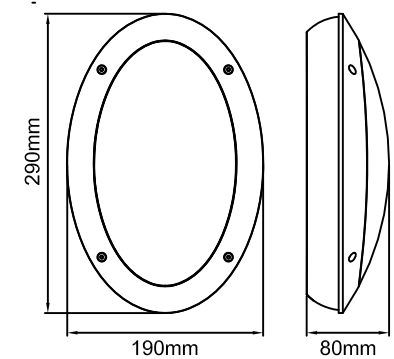
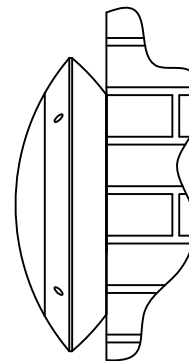
**Installation Procedure** (Fig.1)

- Isolate mains supply before installation.
- Unscrew the four screws and remove the rim and diffuser.
- Pass intended supply wires through grommet.
- Ensure the fixing surface is flat and even.
- Fix base to the wall or ceiling using adequate fixings with regard to type of surface.
- Ensure incoming cables are protected.
- Terminate wiring as per Fig.2.
- Make sure the seal is in place in the diffuser and undamaged.
- Replace Diffuser and rim re-secure using the four screws.
- Turn on the mains supply and test luminaire.

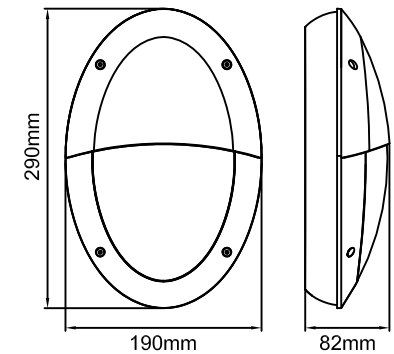
**Fig.1**



Wall mounted

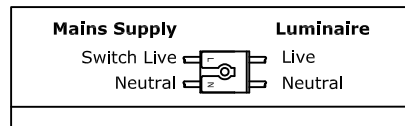


**KSR1176**



**KSR1177**

**Fig.2**



**Lamp Details**

Lamp: LED  
 Wattage: 12W  
 Colour: 4000K  
 KSR1176 Lumen Output: 880 lumens  
 KSR1177 Lumen Output: 695 lumens  
 CRI: Ra>84



KSR Lighting Aftersales: 023 92 674343  
 E-mail: aftersales@ksrlighting.com