



Available Finishes: Stainless Steel

Read these instructions before commencing installation & retain them for future reference.

**IP67** **240V 6W LED**

**Important Information**

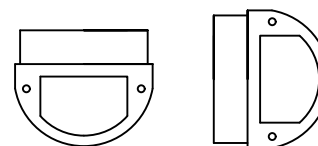
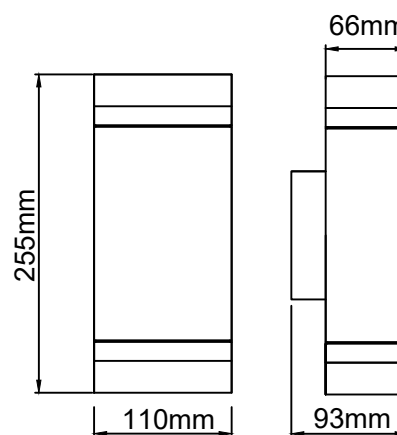
It is recommended that luminaires are installed and fitted by a qualified electrician ensuring the installation complies with current IEE wiring regulations & local building control. These products are designed for connection to a 240V supply. Any broken or damaged parts should be replaced as soon as possible. KSR will not accept responsibility for any claims arising from a poor installation.

**General Maintenance**

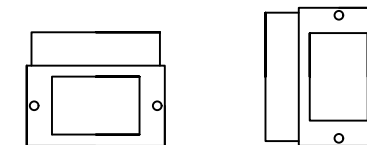
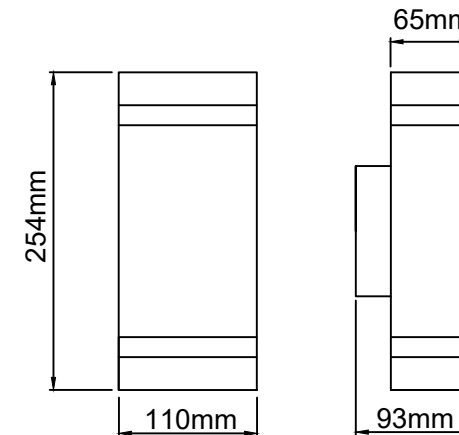
General maintenance and cleaning should be performed at least quarterly. Clean product outer using a damp cloth and dry. After any maintenance, remember to check all seals are intact. Grease screws with a waterproof repellent to ensure trouble free operation in the future.

**Installation Procedure**

Ensure mains supply is turned off.  
 Locate luminaire, Remove base by unscrewing grub screws.  
 Place base on desired location locate and drill holes for wall plugs and fix back plate to wall using suitable fixings.  
 Terminate wiring. Class I Product. This luminaire must be earthed.  
 Pass wire through gromit and fix fitting to base, screw in grub screws.  
 Turn on mains supply and test.



**KSR1286**



**KSR1287**

Lamp Details
Lamp Colour: 3000k
Lamp Cap: LED
LED Wattage: 2 x 3w



Product Information

KSR Lighting Aftersales: 023 92 674343  
 E-mail: info@ksr-lighting.co.uk