

Read these instructions before commencing installation & retain them for future reference.

IP44   240V 1.2W LED

Important Information

It is recommended that luminaires are installed and fitted by a qualified electrician ensuring the installation complies with current IEE wiring regulations & local building control. These products are designed for connection to a 240V supply. Any broken or damaged parts should be replaced as soon as possible. KSR will not accept responsibility for any claims arising from a poor installation.

General Maintenance

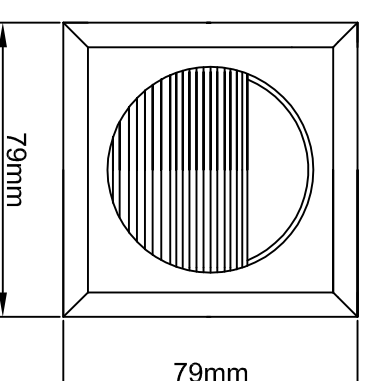
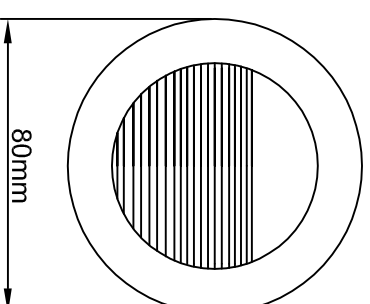
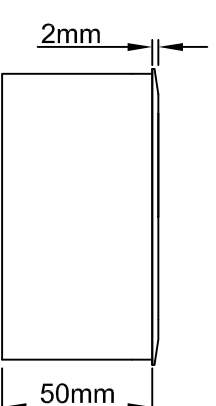
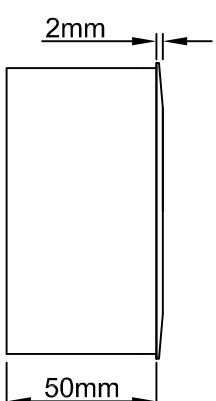
General maintenance and cleaning should be performed at least quarterly. Clean product outer using a damp cloth, dried and buffed to a shine.

Installation Procedure

Ensure mains supply is turned off.
Cut a 75mm hole for fitting the luminaire directly into an existing wall (without the plastic retainer) or cement the plastic retainer into new build wall.
Remove the retaining screws and cover.
Terminate wiring to the circuit board using terminals. (Brown - Live and Blue - Neutral).
Replace cover ensuring any supplied gaskets, etc are in place and secure using retaining screws.
Ensure all the glands are tightened and place fitting into cut-out/retainer.
Turn on mains supply and test.



Available Finish: White or Black



KSR1300 & KSR1302

KSR1301 & KSR1303

Lamp Details

Lamp Colour: Cool White, Warm White, Blue
Lamp Cap: LED
Cool White = 100 Lumens
Warm White = 90 Lumens

KSR
LIGHTING

Product Information