



Finish: Anthracite

Read these instructions before commencing installation & retain them for future reference.

IP54 **240V 8.5W**

Important Information

It is recommended that luminaires are installed by a qualified electrician. The installation of this product must comply with the current edition of the IEE wiring regulations BS7671. These products are designed for connection to a 240V 50Hz supply. Any damaged parts should be replaced as soon as possible. KSR will not accept responsibility for any claims arising from a poor installation.

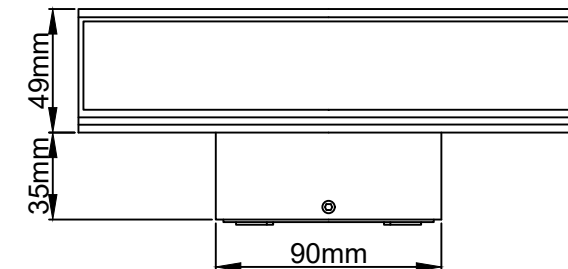
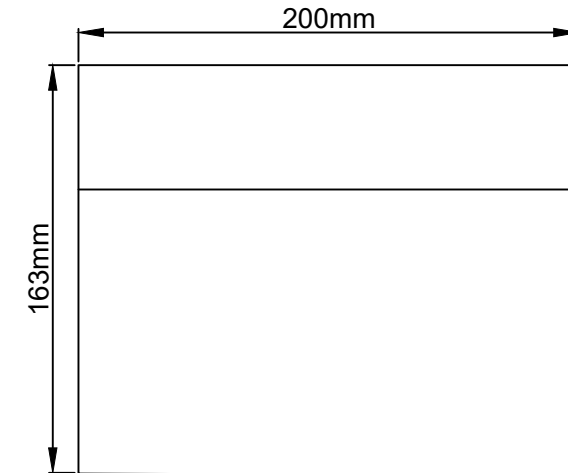
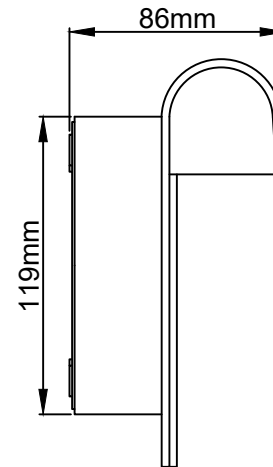
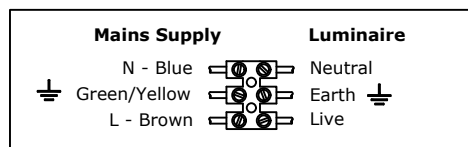
Important User Advice

Always safely isolate the mains supply before installation or servicing. KSR recommends a maintenance schedule of washing with soapy water no abrasives and re-greasing screws at least quarterly.

Installation Details

Safely isolate the mains supply.
Loosen the two grub hex screws from the top and bottom of the backplate. Pass the mains supply cable through the grommet ensuring a good watertight seal.
This luminaire is not suitable for looping through.
Fix the backplate to the surface using suitable fixings.
Connect the mains supply to the terminal block following the marking on the block and/or the guide in Fig.1 as below.
Install the luminaire on the backplate and retighten the two hex grub screws evenly. (KSR recommends using a suitable water repellent grease on the grub screws).
Stick supplied numbers onto clear surface.
Switch on the mains supply and test.

Fig.1



Lamp Details

Light Source: Non-replaceable LED
Wattage: 8.5W
Lumens: 315
Colour: 3000K
CRI: Ra85



KSR Lighting Aftersales: 023 92 674343
E-mail: aftersales@ksrlighting.com