



Finish Available: Anthracite, Silver & Rusty Brown

Read these instructions before commencing installation & retain them for future reference.

IP55 240V 50W Max

Important Information

It is recommended that luminaires are installed by a qualified electrician. The installation of this product must comply with the current edition of the IEE wiring regulations BS7671. These products are designed for connection to a 240V 50Hz supply. Any damaged parts should be replaced as soon as possible. KSR will not accept responsibility for any claims arising from a poor installation.

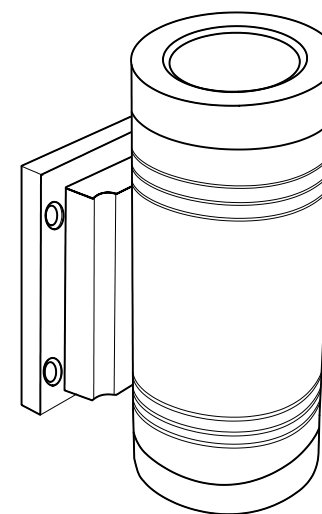
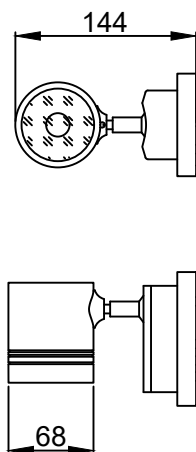
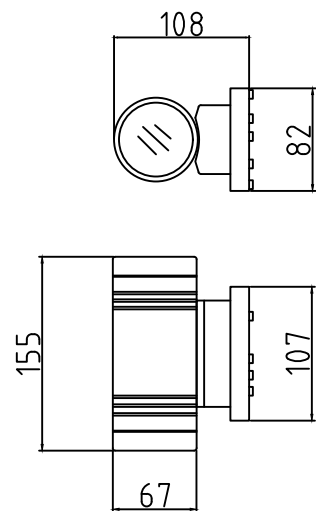
Important User Advice

Always switch off mains supply before installation or servicing. KSR recommends a maintenance schedule of washing down with soapy water (no abrasive cleaners) and greasing all screws every 3 months.

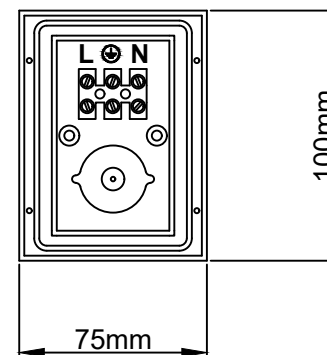
Installation Details

Remove the four retaining screws from the base of the wall light holding the back plate to the fitting. Secure the back plate to a suitable surface, dressing supply cable through the supplied blank grommet. Ensuring the cable entry is at the bottom with the wiring terminals at the top. Wire the mains supply to the terminal black following the marking on the base and/or the guide in Fig 1 as below. Place the fitting back on to the base plate and secure with the four fixings, cover the screw heads with the 4 silver caps provided. Insert a lamp, turn on the power and test.

Note: do not over tighten the glass lenses when installing the lamp as this may distort the seals and cause moisture ingress.



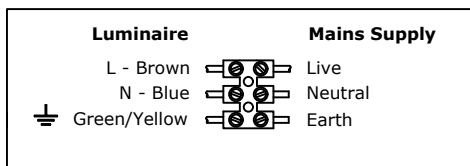
Base Plate



Lamp Details

Light Source: GU10 Halogen or LED Lamp
Wattage: 50W Max
Lamp Not Included

Fig. 1



- KSR7100 - Silver, Single Lamp
- KSR7101 - Silver, Twin Lamp
- KSR7108 - Anthracite, Single Lamp
- KSR7109 - Anthracite, Twin Lamp
- KSR7177 - Rusty Brown, Single Lamp
- KSR7178 - Rusty Brown, Twin Lamp

