

Read these instructions before commencing installation & retain them for future reference.

IP55 ⊕ CE 240V 50W Max

Important Information

It is recommended that luminaires are installed by a qualified electrician. The installation of this product must comply with the current edition of the IEE wiring regulations BS7671. These products are designed for connection to a 240V 50Hz supply. Any damaged parts should be replaced as soon as possible. KSR will not accept responsibility for any claims arising from a poor installation.

Important User Advice

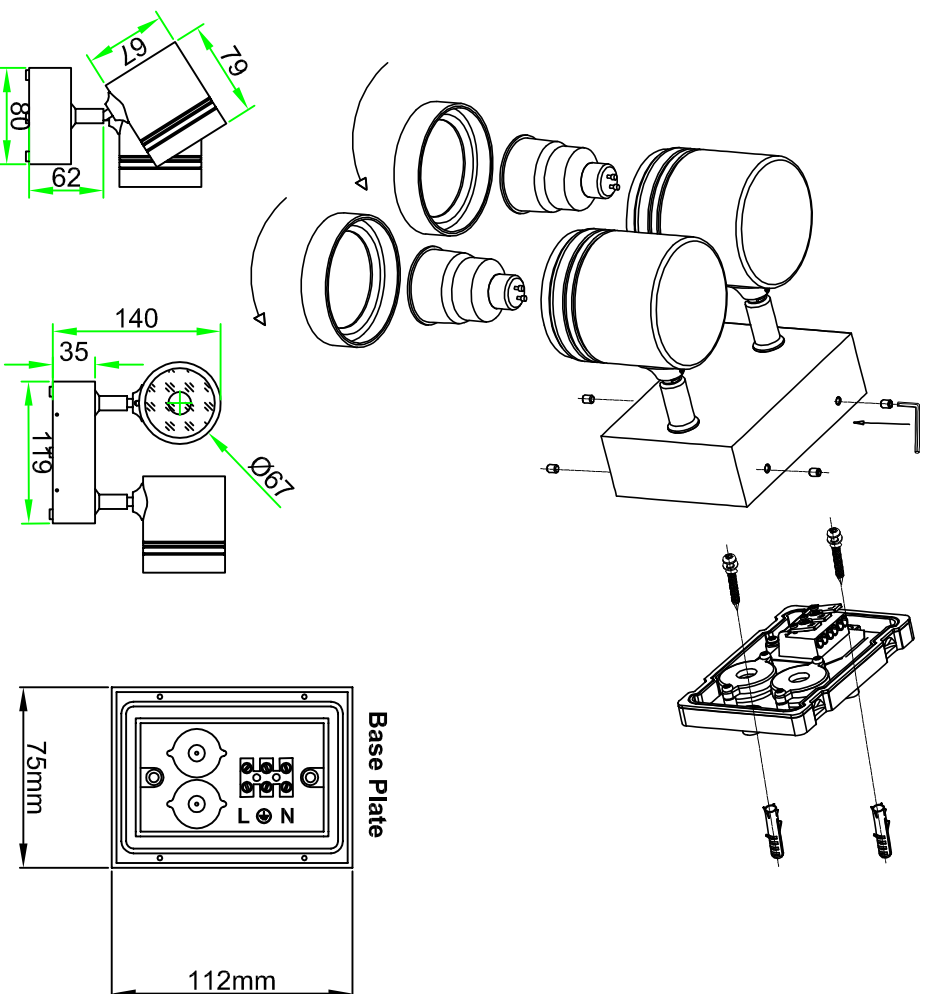
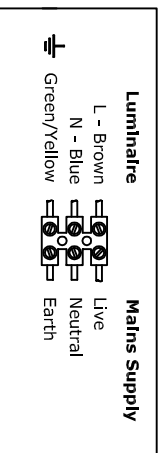
Always switch off mains supply before installation or servicing. KSR recommends a maintenance schedule of washing down with soapy water (no abrasive cleaners) and greasing all screws every 3 months.

Installation Details

Remove the four retaining screws from the base of the wall light holding the back plate to the fitting.
 Secure the back plate to a suitable surface, dressing supply cable through the supplied blank grommet. Ensuring the cable entry is at the bottom with the wiring terminals at the top.
 Wire the mains supply to the terminal block following the marking on the base and/or the guide in Fig 1 as below.
 Place the fitting back on to the base plate and secure with the four fixings, cover the screw heads with the 4 silver caps provided..
 Insert a lamp, turn on the power and test.

Note: do not over tighten the glass lenses when installing the lamp as this may distort the seals and cause moisture ingress.

Fig. 1



Twin GU10 Wall Light	Silver	KSR7101
	Anthracite	KSR7109
	Rusty Brown	KSR7178

Lamp Details
 Light Source: GU10 Halogen or LED Lamp
 Wattage: 50W Max
 Lamp Not Included

KSR Lighting Aftersales: 023 92 674343
 E-mail: info@ksr-lighting.co.uk

