

Finishes Available, Anthracite Only

Read these instructions before commencing installation & retain them for future reference.

IP55 Ⓢ Ⓢ Ⓢ 240V 3.5W

Important Information

It is recommended that luminaires are installed by a qualified electrician. The installation of this product must comply with the current edition of the IEE wiring regulations BS7671. These products are designed for connection to a 240V 50Hz supply. Any damaged parts should be replaced as soon as possible. KSR will not accept responsibility for any claims arising from a poor installation.

Important User Advice

Always switch off mains supply before installation or servicing.

Installation Details

Remove the two retaining allen screws from the front of the wall light. Remove the four screws that secure the main body of the fitting to the waterproof enclosure.

Lastly remove the two retaining screws that connect the mounting box to the housing.

Secure the mounting box to either a stud wall or solid wall following the cut our dimensions operseite. If building into a solid wall, concrete pointing may be required, ensure this is fully set before installing the light fitting. Dress your supply cable through the gland and terminate onto the fitting following the guide below.

Taking care not to trap any of the supply cables reconstruct the luminaire finishing with the front cover. Turn on the power and test the luminaire.

Note: if possible place a small amount of grease on the retaining screw heads to allow for easy removal in the future if needed.

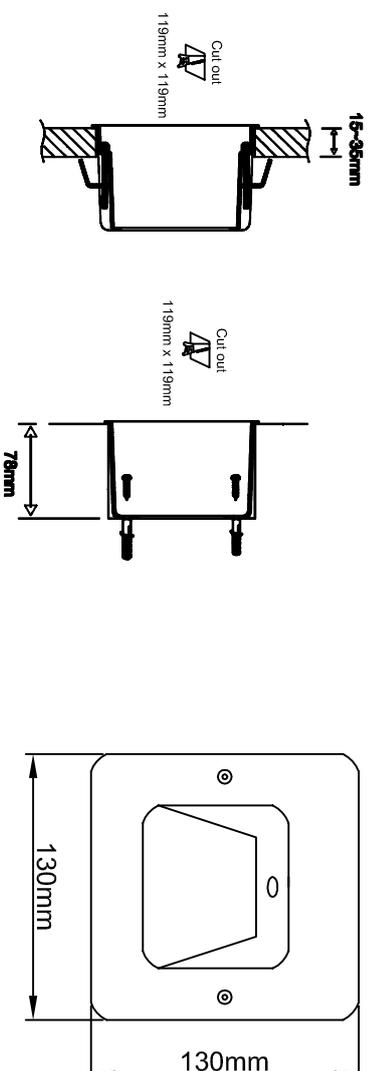
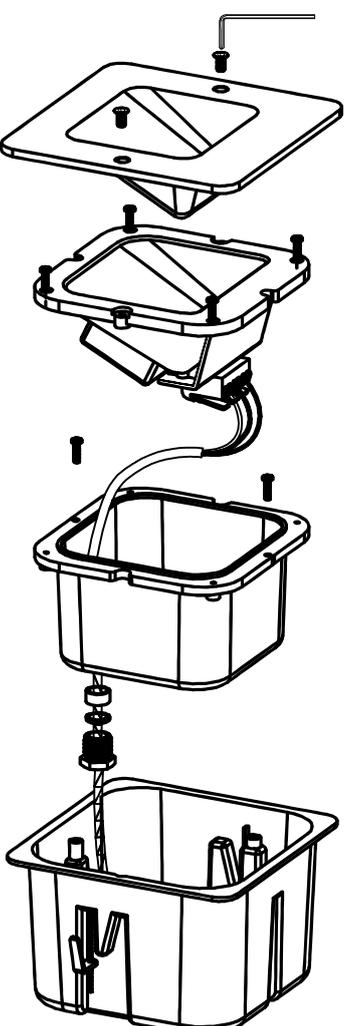
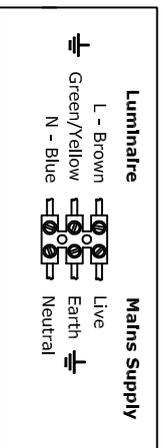


Fig. 1



Lamp Details

Light Source: Non Replaceable LED Module
 Wattage: 3.5W
 CCT: 3000K Warm White
 Lumen: 180

KSR Lighting Aftersales: 023 92 674343
 E-mail: info@ksr-lighting.co.uk

