



Read these instructions before commencing installation & retain them for future reference.

IP20     0.3m  240V 1.2W

These fittings are Class I and require an Earth connection

### Important Information

It is recommended that luminaires are installed and fitted by a qualified electrician ensuring the installation complies with current IEE wiring regulations & local building control. These products are designed for connection to a 240V 50Hz supply. Any broken or damaged parts should be replaced as soon as possible. KSR will not accept responsibility for any claims arising from a poor installation.

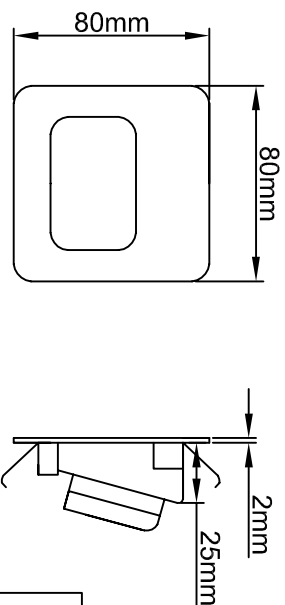
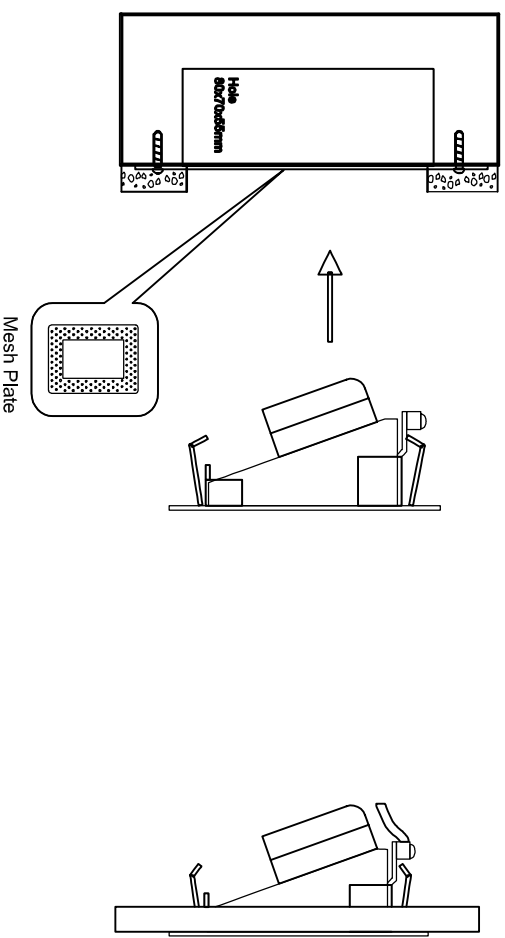
### General Maintenance

General maintenance and cleaning should be performed at least quarterly. Clean product outer using a damp cloth, do not use abrasive cleaners as this may damage the finish. After any maintenance, remember to check all seals are intact.

### Installation Procedure

Familiarize yourself with the luminaire, and ensure the mains power is turned off before installation.  
For stud wall applications the steel mesh plate is not required and can be discarded. Cut a 70mm x 66mm hole in the wall board.  
Connect the luminaire to mains 240V supply following the diagram below,  
Brown - Live, Blue, - Neutral.  
Hold back the spring clips and slot the fitting into the wall, release and allow the springs to pull the fitting back into place.  
For solid wall installations cut or construct a 80mm x 70mm x 55mm hole, secure the mesh plate over the opening and either plaster or render over the plate, allow to fully dry before installing the luminaire.  
Connect the luminaire to mains 240V supply following the diagram below,  
Brown - Live, Blue - Neutral.  
Hold back the springs and feed the fitting into the opening until the luminaire is back against the wall.  
Turn on the power and test the luminaire.

Available finish:- White



Mains Supply

Luminaire

Live - Brown  L - Brown  
Neutral - Blue  N - Blue

**KSR**  
LIGHTING

### Output Details

KSR7264 - 1.2W Integral LED Module, Black  
Non Replaceable  
2700K Warm White  
Non Dimmable

KSR Lighting Aftersales: 023 92 674343  
E-mail: [info@ksr-lighting.co.uk](mailto:info@ksr-lighting.co.uk)