



Read these instructions before commencing installation. Please give these instructions to the owner/occupier after installation to retain for future reference/maintenance.

IP20 240V~50Hz 5W LED

This Emergency pack is Class I and requires an Earth

**Important Information**

It is recommended that this Emergency luminaire is installed and fitted by a qualified electrician ensuring the installation complies with current IEE wiring regulations & local building control. These products are designed for connection to a 240V~50Hz supply. Any faulty, broken or damaged modules should be replaced immediately. KSR will not accept responsibility for any claims arising from a poor installation. Please Note: The limited warranty shall be deemed null and void in the following circumstances: Failure by the installer, end user or any third party to exercise caution to protect any covered product or part from outside damage, adverse temperature (normal operating ambient temperature 0 - 45°C), humidity conditions, fluctuations in the electrical system or physical abuse as well as failure related to workmanship in the installation of the products or parts.

**Important User Advice**

Always switch off mains supply before installing/servicing. As the buyer/installer and/or user of this product it is your own responsibility to ensure that this emergency pack is fit for the purpose for which you have intended and operates to the relevant standards. KSR Lighting can't accept any liability for loss, damage or premature failure resulting from inappropriate use. Please note: This luminaire is non-dimmable. Do not use Megger or similar high voltage instruments. Due to the fact this Emergency pack contains electronic components that maybe damaged by high test voltages, they must be disconnected from the circuit before testing. To prevent damage to the Emergency pack, do not mix with conventional magnetic ballasts on the same electrical circuit. At the end of life the Emergency luminaire is classed as WEEE under directive 2014/30/EU and should be disposed of in accordance with local legislation

**Installation Procedure**

Familiarize yourself with the installation procedure and ensure the power is safely isolated before installing the Emergency luminaire. Remove the front cover and legend by removing the two retaining screws located on the front bottom edge and then gently lift the frame away from the base. Secure the base to a suitable surface.

Terminate as required below (Fig.1):

**Non-Maintained Emergency**

Connect the mains input Unswitched Live (PL), Neutral (N) and Earth

**Maintained Emergency**

Connect the mains input Unswitched Live (PL), Neutral (N), Switch Live (SL) and Earth

Connect the battery to the PCB using the plug and play connector. Write on the battery label in permanent ink the date of commissioning. Select the correct legend and insert into the frame. Ensure the legend is seated correctly and replace the frame with the retained locking screws, be careful not to over tighten the screws. Turn on the power and ensure that the module is showing charge indicator. This fitting requires a minimum 24 Hour initial charge period prior to any manual emergency testing, please see overleaf for testing routine, All results must be recorded and left with the end user.

The battery has a rated duration of at least 4 years but should be replaced if the duration of operation is less than 3 hours after a 24hr charge time with no interrupted supply.

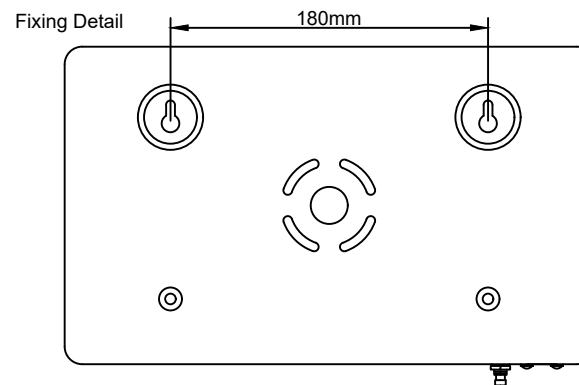
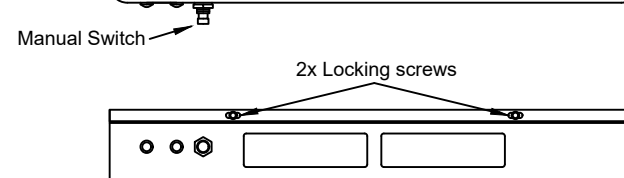
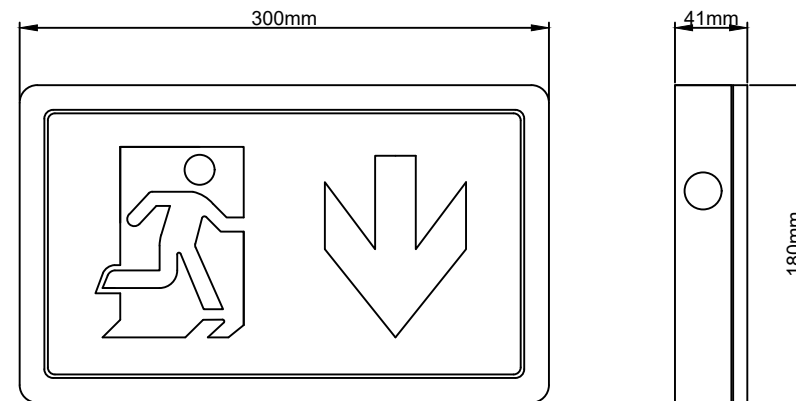


Fig 1.

Black	<input checked="" type="checkbox"/>	PL - Permanent Live
Brown	<input checked="" type="checkbox"/>	SW - Switch Live
Blue	<input checked="" type="checkbox"/>	N - Neutral
Green/Yellow	<input checked="" type="checkbox"/>	Earth

**Lamp Details**

Wattage: 5W
Lamp Cap: LED
Lamp Colour: 6000K
Lumen Output:
46 lumens (Mains)
29 lumens (battery)
Ambient Temperature: 0~+45°C



KSR Lighting Aftersales: 023 92 674343  
E-mail: info@ksrlighting.com