



Available Finish: White or Black

Read these instructions before commencing installation & retain them for future reference.

IP20 50W Max

Important Information

It is recommended that luminaires are installed by a qualified electrician ensuring the installation complies to current IEE wiring regulations & local building control.

These products are designed for connection to the supplied driver only. Any broken or damaged parts should be replaced as soon as possible. KSR will not accept responsibility for any claims arising from a poor installation.

Important User Advice

Always switch off mains supply before servicing, fitting or lamp replacement. This luminaire is suitable for indoor use only and should not be fitted to damp or wet surfaces such as freshly plastered or painted ceilings. For use with GU10 Halogen or LED Retrofit GU10 lamps only. Ensure the lamp is correctly located in the lampholder.

Installation Procedure

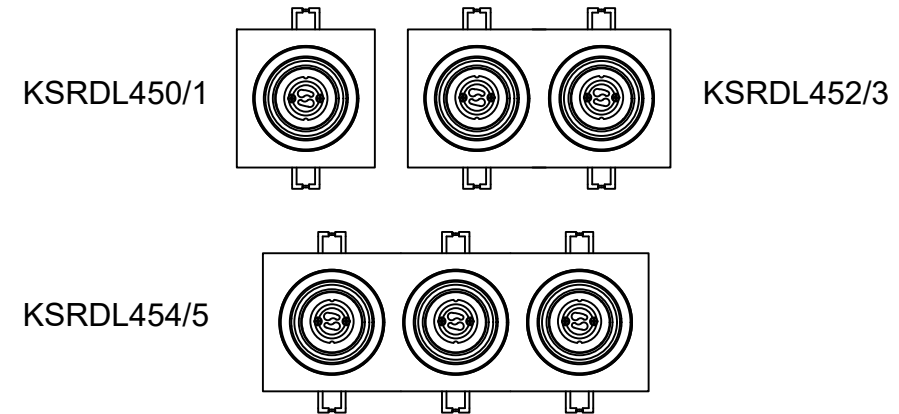
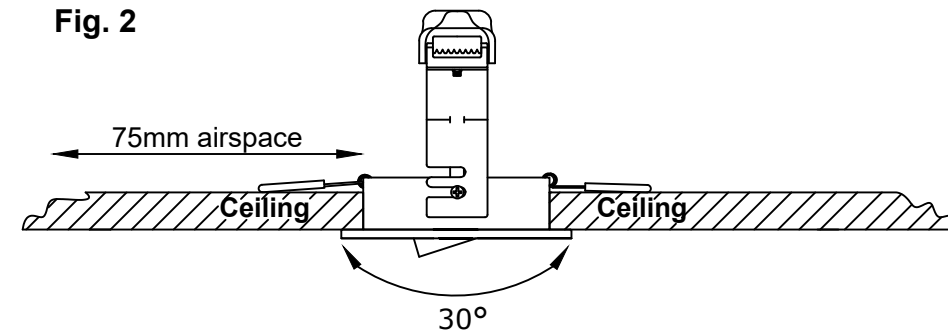
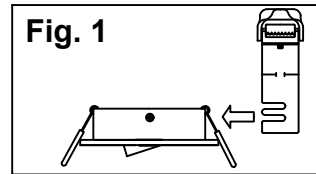
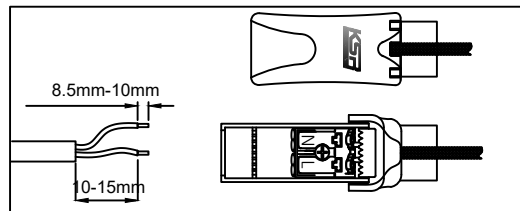
KSR recommends that a sample hole is cut in some scrap material to familiarise yourself with the installation. Locate the area's suitable to install these luminaires. Cut a hole in the ceiling using the table below and ensure you have sufficient ceiling void without infringing on joists, water pipes or electrical cables. Connect the terminal block to the mains supply (Neutral - Blue, Live - Brown) and insert the lamp into the holder. Fasten the terminal block mounting plate onto the side of the fitting with screw provided shown in Fig.1. Place the lampholder into the void then press springs back and locate luminaire body into aperture. Fit this product as per illustration shown in Fig.2. Ensure there is adequate free air ventilation around the fitting and LED Driver 75mm all round and 25mm above.

Turn on the mains supply to test the luminaire and adjust the lamp position to suit the installation.

Installer Note:

To ensure a good connection strip back 8.5-10mm of insulation and push the cable firmly into the terminal block.

Cable size 0.75~1.5mm



	Rim Size	Cut out	Void Depth Required	Lamp Cap	Dimmable
KSRDL450/1	95mm x 95mm	80mm	117mm	GU10	Dependant on Lamp Type
KSRDL452/3	175mm x 92mm	80mm x 160mm	117mm	GU10	
KSRDL454/5	257mm x 92mm	80mm x 242mm	117mm	GU10	



KSR Lighting Aftersales: 023 92 674343
E-mail: aftersales@ksrlighting.com



Available Finish: White or Black

Read these instructions before commencing installation & retain them for future reference.

IP20 5W or 10W (per lamp)

Important Information

It is recommended that luminaires are installed by a qualified electrician ensuring the installation complies to current IEE wiring regulations & local building control.

These products are designed for connection to the supplied driver only. Any broken or damaged parts should be replaced as soon as possible. KSR will not accept responsibility for any claims arising from a poor installation.

Important User Advice

Always switch off mains supply before servicing, fitting or lamp replacement. This luminaire is suitable for indoor use only and should not be fitted to damp or wet surfaces such as freshly plastered or painted ceilings.. Ensure the LED Module is correctly located in the lampholder.

Installation Procedure

KSR recommends that a sample hole is cut in some scrap material to familiarise yourself with the installation.

Locate the area's suitable to install these luminaires.

Cut a hole in the ceiling using the table to the right and ensure you have sufficient ceiling void without infringing on joists, water pipes or electrical cables.

If using a optional beam angle lens fit this by removing the white retaining ring on the module by turning anti clockwise, replace the lens and refit.

As per Fig 1 plug the driver into the LED module using the plug and play connector and insert the LED module(s) into the retaining ring(s). Install the driver into the void ensuring adequate free space 75mm all around and 25mm above the fitting. The plate should NOT be covered in mineral wool insulation.

Press the retaining springs back and locate luminaire body into aperture.

Tilt to the required angle.

Turn on the mains supply to test the luminaire.

Installer Note:

To ensure a good connection strip back 8.5-10mm of insulation and push the cable firmly into the terminal block.

Cable size 0.75-1.5mm

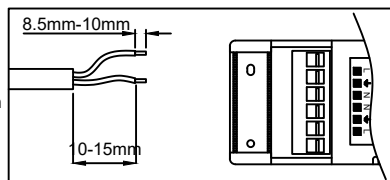
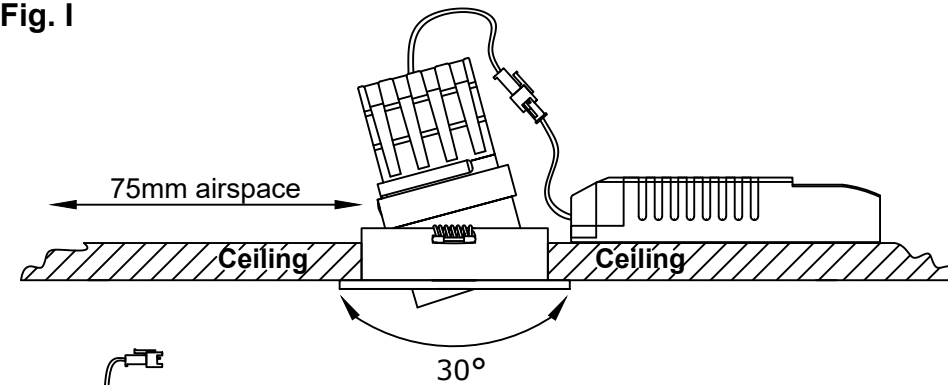
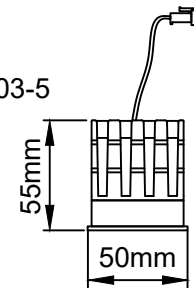


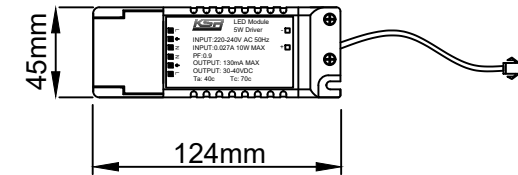
Fig. 1



KSRDL403-5



KSRDL406-7



	Rim Size	Cut out	Void Depth Required	Beam Angle	Dimmable	CCT	Lumen output per head		
							KSRDL406	KSRDL407	
KSRDL450/1 + KSRDL403/4/5 + KSRDL406/7	95mm x 95mm	80mm	117mm	37°	Yes	2700K	569lm	803lm	
							3000K	573lm	862lm
							4000K	618lm	957lm
	Rim Size	Cut out	Void Depth Required	Beam Angle	Dimmable	CCT	Lumen output per head		
							5w driver	10w driver	
KSRDL452/3 + KSRDL403/4/5 + KSRDL406/7	175mm x 92mm	80mm x 160mm	117mm	37°	Yes	2700K	569lm	803lm	
							3000K	573lm	862lm
							4000K	618lm	957lm
	Rim Size	Cut out	Void Depth Required	Beam Angle	Dimmable	CCT	Lumen output per head		
							5w driver	10w driver	
KSRDL454/5 + KSRDL403/4/5 + KSRDL406/7	257mm x 92mm	80mm x 242mm	117mm	37°	Yes	2700K	569lm	803lm	
							3000K	573lm	862lm
							4000K	618lm	957lm



KSR Lighting Aftersales: 023 92 674343
E-mail: aftersales@ksrlighting.com