



Navara 12V IP20 RGB LED Strip

LED Strip Lighting



Data Sheet

Product Information

Our Navara 12V IP20 RGB LED Strip is ideal for lighting applications where coloured accent lighting is required.

This range is well suited to residential and commercial applications.



Product Features

- 3 year warranty
- IP20
- RGB Colour changing
- Dimmable control via remote control using KSR9564 & KSR9565 with an effective range up to 30m
- 5.8w per metre
- Driver Supplied
- Class II for Power supply and Class III for RGB Strip
- 12v Constant Voltage
- 3M Self-adhesive Backing
- Can be cut every 100mm

Product Specification

Product Code	Product Description	Wattage (W)	CCT (K)	CRI (Ra)	Lumens (lm)	Protection Class
KSR95104	IP20 – 5.8w/m 12v 30 LEDs per metre - RGB	5.8w/m	RGB	N/A	varies	III
KSR9564	Navara LED Receiver/Controller					II
KSR9565	Navara RGB Remote					II
KSRDL297	12w 12v Constant Voltage LED driver	12w				II
KSRDL298	30w 12v Constant Voltage LED driver	30w				II
KSRDL299	50w 12v Constant Voltage LED driver	50w				II

Nominal voltage	12V
Operating frequency	50/60Hz
Circuit Wattage	5.8w per metre
Circuit Current	TBC
Driver Current Rating	N/A
PFC	0.99
In Rush Current	N/A
Ambient temperature range	-10°C to +45°C
IP rating	20

Construction

Coating: Clear Silicone

Standards

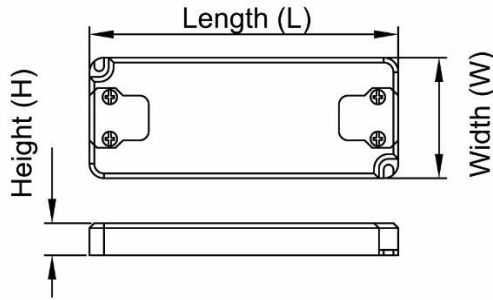
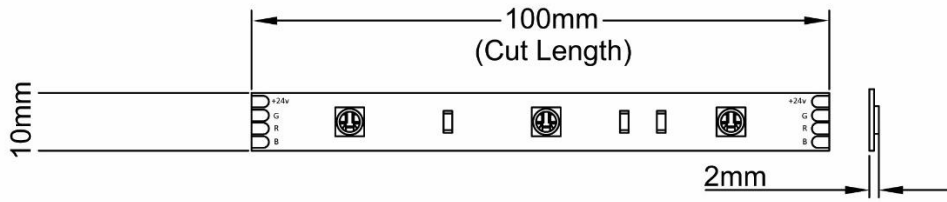
BSEN60598-1:2015 Luminaires – Part 1: General requirements and tests

In Conformity with

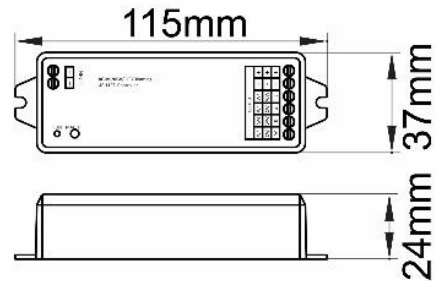
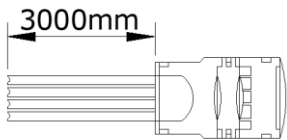
LVD Low voltage directive 2014/35/EU
EMC Electromagnetic compatibility directive 2014/30/EU
ERP Energy related products directive 2009/125/EC
RoHS Restriction of hazardous substances 2011/65/EU

Product Dimensions

IP20 5.8W Bespoke RGB LED Strip

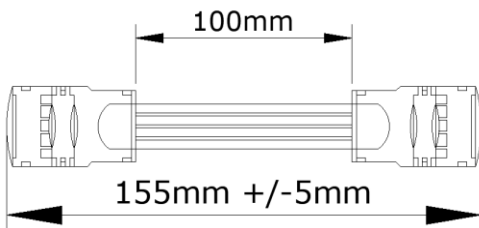
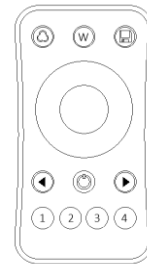


	Input	Wattage	Max Tape Run	Dimensions Length x Width x Height
KSRDL297	220-240VAC 50/60Hz	12W	1.5M	128mm(L) x 50mm (W) x 13mm (H)
KSRDL298	220-240VAC 50/60Hz	30W	4.5M	155mm(L) x 54mm (W) x 16mm (H)
KSRDL299	220-240VAC 50/60Hz	50W	8M	185mm(L) x 62mm (W) x 22mm (H)



KSR95108

KSR9564



KSR95112

KSR9565

KSR Lighting is constantly developing and improving its products. For this reason, all product descriptions in this data sheet are intended as a general guide, and KSR may change specifications from time to time in the interest of product development, without prior notification or public announcement. All descriptions in this data sheet present only general particulars of the goods to which they refer and shall not form part of any contract. Data in this guide has been obtained in controlled experimental conditions. However, KSR Lighting cannot accept any liability arising from the reliance on such data to the extent permitted.