



Available Finish: Black (KSR1395) or 304 Stainless Steel (KSR1397)

Read these instructions before commencing installation. Please give these instructions to the owner/occupier after installation to retain for future reference/maintenance.

IP65 240VAC~50Hz 35W Max.

These fittings are Class I and must be Earthed

Important Information

It is recommended that these luminaires are installed and fitted by a qualified electrician ensuring the installation complies with current IEE wiring regulations & local building control. These products are designed for connection to a 240V~50Hz supply. Any faulty, broken or damaged luminaires should be replaced immediately.

KSR will not accept responsibility for any claims arising from a poor installation.

Please Note: The limited warranty shall be deemed null and void in the following circumstances: Failure by the installer, end user or any third party to exercise caution to protect any covered product or part from outside damage, adverse temperature, humidity conditions, fluctuations in the electrical system or physical abuse as well as failure related to workmanship in the installation of the products or parts.

Important User Advice

Always switch off mains supply before servicing.

KSR recommend greasing all threaded parts and cleaning the body every 3 months minimum.

At the end of life the luminaire is classed as WEEE under directive 2014/30/EU and should be disposed of in accordance with local legislation.

Installation Procedure

Familiarize yourself with the fixture, release the 3x grub screws that secure the main fitting to the mounting plate.

Remove the base plate from the body, please note that the seal is a tight fit so will show resistance when trying to remove the base from the body.

Offer the base plate up to a suitable surface and mark both fixing points. Once drilled, dress the mains supply cable through the grommet and secure to the wall, ensuring the grommet creates a seal around the cable. The grommet is not suitable for multiple cable entry.

Terminate the fixed wiring into the terminals Brown - live, Blue - Neutral and Green/Yellow - Earth, following the guide below and/or the markings on the fitting.

Ensure the main gasket is seated correctly on the base plate and place the fitting onto it, tighten the grub screws ensuring the seal is seated correctly.

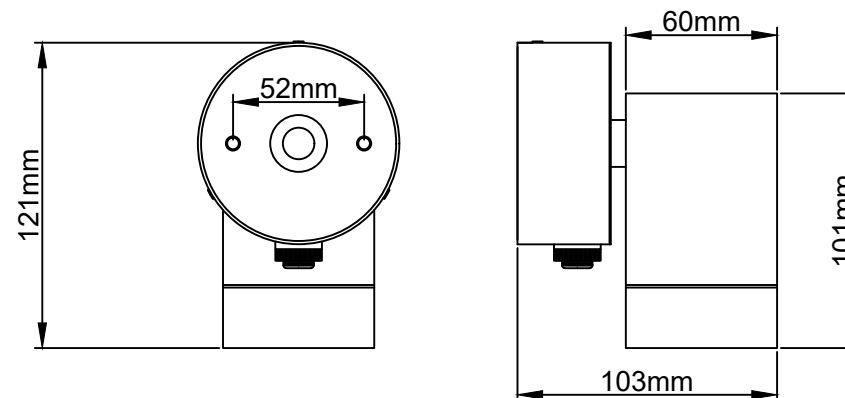
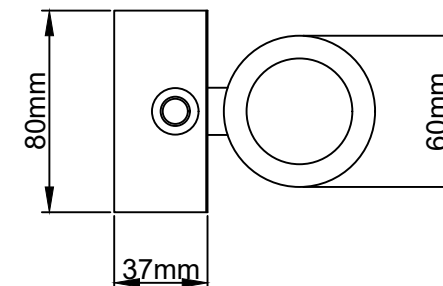
Unscrew and remove the cap to fit a suitable GU10 lamp, if using a GU10 LED lamp ensure that it is suitable for enclosed housings.

Refit the cap ensuring the O ring is still intact and in place checking that a good seal has been made.

NOTE: KSR advise to not install the photocell facing any other artificial light, reflected light or highly reflective surface as this could cause the luminaire to cycle on and off. If this occurs relocation of the fitting may be necessary.

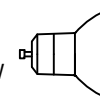
Turn on the power and test the luminaire, please note this product is fitted with a Photocell and is not suitable for use with another unit or photocell sensor as this will damage the sensor/product.

Turn on the power and test the luminaire.



Lamp Details

Lamp Cap: GU10
Max Wattage: 35W



Suitable for Retrofit LED Lamps

Photocell Details

On - 30-10 Lux
Off - 30-60 Lux

