

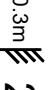



Read these instructions before commencing installation. Please give these instructions to the owner/occupier after installation to retain for future reference/maintenance.

IP65 IK10    $\varnothing_{0.3m}$  **240V~50HZ 19W-65W**

These fittings are Class I and must be Earthed

Important Information

It is recommended that these luminaires are installed and fitted by a qualified electrician ensuring the installation complies with current IEE wiring regulations & local building control. These products are designed for connection to a 240V~50Hz supply. Any faulty, broken or damaged luminaires should be replaced immediately. KSR will not accept responsibility for any claims arising from a poor installation. Please Note: The limited warranty shall be deemed null and void in the following circumstances: Failure by the installer, end user or any third party to exercise caution to protect any covered product or part from outside damage, adverse temperature (normal operating ambient temperature -15 - 35°C), humidity conditions, fluctuations in the electrical system or physical abuse as well as failure related to workmanship in the installation of the products or parts.

Important User Advice

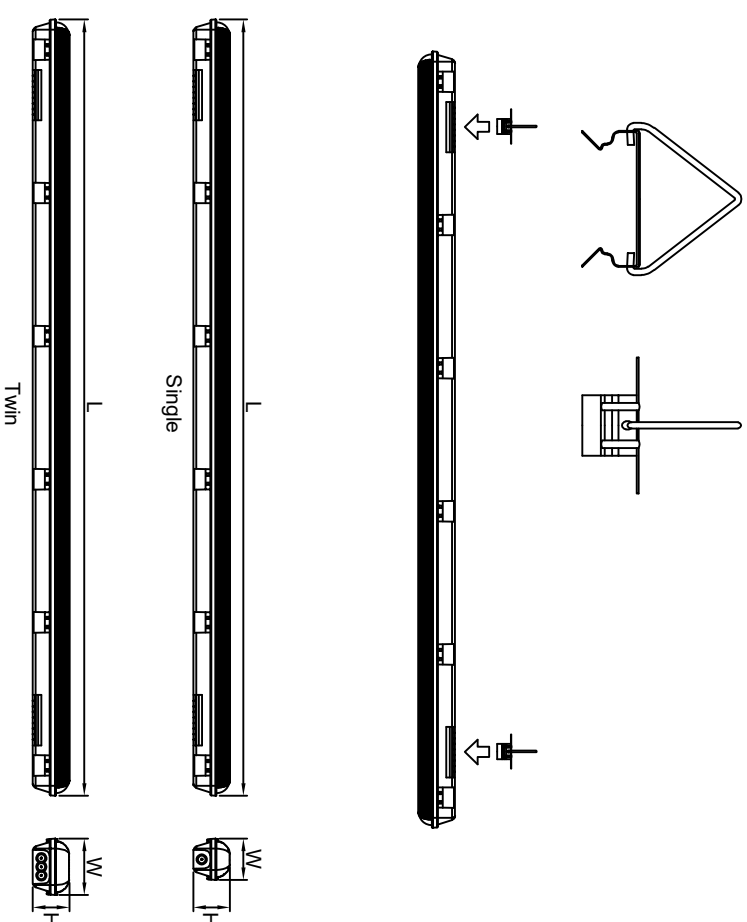
Always switch off mains supply before servicing. This luminaire is suitable for exterior use. KSR recommends an atleast quarterly cleaning schedule to preserve product finish and lumen output. Do not use Megger or similar high voltage instruments. Due to the fact this luminaire contains electronic components that may be damaged by high test voltages, they must be disconnected from the circuit before testing. To prevent damage to the driver, do not mix with conventional magnetic ballasts on the same electrical circuit. At the end of life the luminaire is classed as WEEE under directive 2014/30/EU and should be disposed of in accordance with local legislation.

Installation Procedure

Familiarize yourself with the luminaire/installation procedure and ensure the power is safely isolated before installing the luminaire. Separate the LED/Diffuser from the main body by unlatching the body retention clips. Remove the gear tray by unclipping the 2 plastic retaining clips (pinching together). Fix the fixing clips in place (can be mounted to besa boxes). For any suspension method please use brackets and hangers provided (Fig. 1) Drill and secure the cable gland supplied using any of the marked entry points (7 on the single/11 on the twin body), route the supply cable 6-12mm round cable only through the cable gland. Connect the mains wiring, (SL) Switch Live, Neutral (N) and Earth (⊕), please note terminal PL is not used. Snap the gear tray onto the main body, ensuring it is properly located on the push clips. Ensure the cable gland is tightened and creating the seal around the cable. Replace diffuser and secure with retention clips. Turn on the power and test the luminaire

LEDs are an inductive load so avoid unwanted MCB tripping it may be necessary to uprate your breakers.

Fig. 1



Lamp Details					
Product Code	Description	Dimensions L x W x H	Wattage	Colour	Lumens
KSR9880	Navara X IP-4S	1240mm x 89mm x 73mm	19W	4000K	2350
KSR9881	Navara X IP-4T	1240mm x 119mm x 73mm	38W	4000K	4580
KSR9882	Navara X IP-5S	1540mm x 89mm x 73mm	30W	4000K	3615
KSR9883	Navara X IP-5T	1540mm x 119 mm x 73mm	60W	4000K	6875
KSR9886	Navara X IP-6S	1840mm x 89mm x 73mm	35W	4000K	4385
KSR9887	Navara X IP-6T	1840mm x 119mm x 73mm	65W	4000K	7835

The light source of this luminaire is not replaceable; when the light source reaches its end of life the light source and control gear shall be replaced

This product contains a light source of energy efficiency class E

