

Siena CL



Product Information

The Siena CL Polycarbonate floodlights are available in four wattages 10W, 20W, 30W or 50W. Supplied in 4000K

They come complete with a 2 year warranty.



PIR Version

Product Features

- 2 year warranty
- Class II
- High efficiency
- 4000K LED
- Non-Dimmable
- IP65 – with or without PIR
- IK07
- Instant on
- Range of sizes and wattages
- Integral driver
- Low standby power typical Parasitic power draw <0.3w
- Pre-wired with 1m flex
- L70 - 25,000hrs

Product Specification

Product Code	Product Description	Wattage (W)	CCT (K)	Lumens (lm)
KSR5310	Siena CL 10W 4000K Floodlight	10	4000	985
KSR5311	Siena CL 10W 4000K Floodlight with PIR	10	4000	985
KSR5312	Siena CL 20W 4000K Floodlight	20	4000	2110
KSR5313	Siena CL 20W 4000K Floodlight with PIR	20	4000	2110
KSR5314	Siena CL 30W 4000K Floodlight	30	4000	3205
KSR5315	Siena CL 30W 4000K Floodlight with PIR	30	4000	3205
KSR5316	Siena CL 50W 4000K Floodlight	50	4610	5255
KSR5317	Siena CL 50W 4000K Floodlight with PIR	50	4610	5255

Nominal voltage	220-240V
Operating frequency	50-60Hz
Ambient temperature range	-20°C~+40°C
Start time	< 0.5 sec
Protection Class	II
CRI	Ra>82
IP rating	IP65

Construction

Body: Polycarbonate
Diffuser: Glass

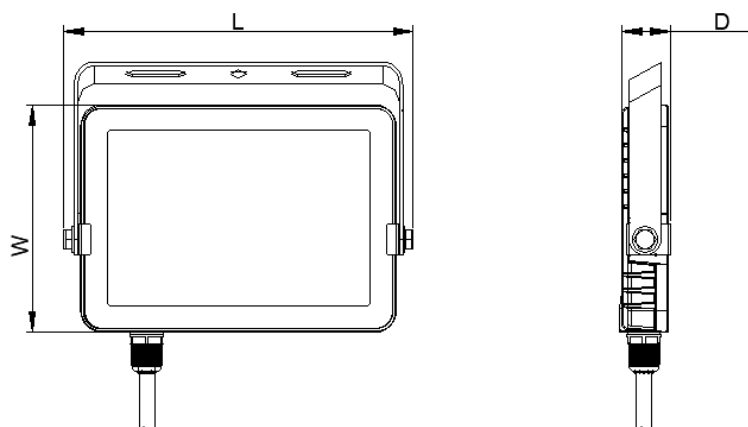
Standards

EN60598-2-5:2015 Luminaires – Part 2-5: Floodlights

In Conformity with

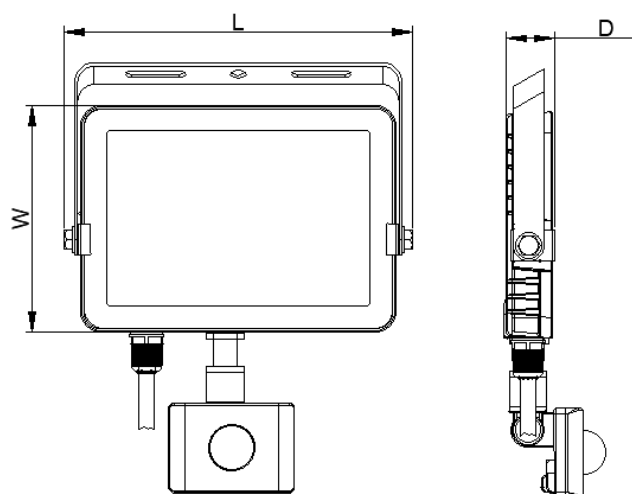
LVD Low voltage directive 2014/35/EU
EMC Electromagnetic compatibility directive 2014/30/EU
ERP Energy related products directive 2019/2020/EU
RoHS Restriction of hazardous substances 2015/863/EU

Product Dimensions – Standard Version



Description	Length	Width	Depth
KSR5310	141mm	95mm	24mm
KSR5312	177mm	115mm	24mm
KSR5314	217mm	145mm	27mm
KSR5316	247mm	165mm	28mm

Product Dimensions – PIR Version



Description	Length	Width	Depth
KSR5311	141mm	95mm	52mm
KSR5313	177mm	115mm	52mm
KSR5315	217mm	145mm	52mm
KSR5317	247mm	165mm	52mm

KSR Lighting is constantly developing and improving its products. For this reason, all product descriptions in this data sheet are intended as a general guide, and KSR may change specifications from time to time in the interest of product development, without prior notification or public announcement. All descriptions in this data sheet present only general particulars of the goods to which they refer and shall not form part of any contract. Data in this guide has been obtained in controlled experimental conditions. However, KSR Lighting cannot accept any liability arising from the reliance on such data to the extent permitted.