

# 24V Constant Voltage Drivers

Accessories



## Product Information

Our 24V Constant Voltage LED driver range is available in 5 outputs, these are suitable for products that require a Constant Voltage such as our Navara LED tape.

## Product Features

- 3 year warranty
- 24V Constant Voltage
- IP67/IP20
- Class II
- Polycarbonate Construction for IP20 version
- Die cast aluminium potted driver for IP67 version
- Mains Dimmable (leading and trailing edge dimming)

# Product Specification

Product Code	Product Description	Max load	Current rating	Voltage Range	Types of Dimming	IP Rating	Protection Class
KSRDL292	25w 24v Dimmable Constant Voltage Driver	25w	1.04A Max	24	Leading and Trailing edge	20	II
KSRDL293	50w 24v Dimmable Constant Voltage Driver	50w	2.08A Max	24	Leading and Trailing edge	20	II
KSRDL294	100w 24v Dimmable Constant Voltage Driver	100w	4.2A Max	24	Leading and Trailing edge	20	II
KSRDL295	100w 24v Dimmable Constant Voltage Driver	100w	4.2A Max	24	Leading and Trailing edge	67	I
KSRDL296	200w 24v Dimmable Constant Voltage Driver	200w	8.3A Max	24	Leading and Trailing edge	67	I

<b>Nominal voltage</b>	220-240VAC
<b>Operating frequency</b>	50/60Hz
<b>Ambient temperature range</b>	-20°C~+50°C

## Construction

IP20 Body: Polycarbonate  
IP67 Body: Aluminium

## Standards

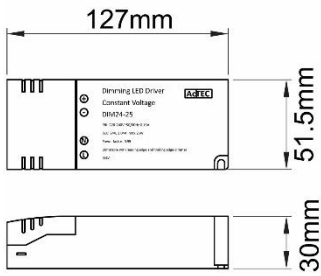
BSEN60598-1:2021 Luminaires – Part 1: General requirements and tests

## In Conformity with

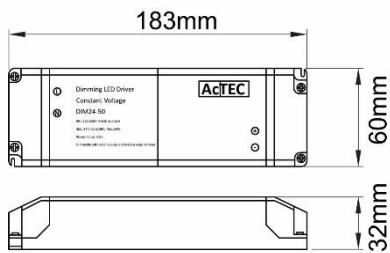
LVD Low voltage directive 2014/35/EU  
EMC Electromagnetic compatibility directive 2014/30/EU  
ERP Energy related products directive 2019/2020/EC  
RoHS Restriction of hazardous substances 2015/863/EU

# Product Dimensions

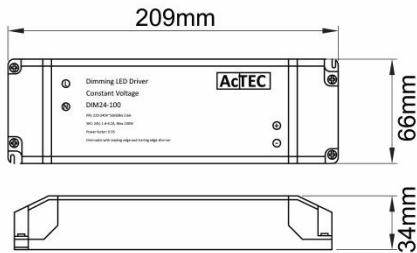
## KSRDL292



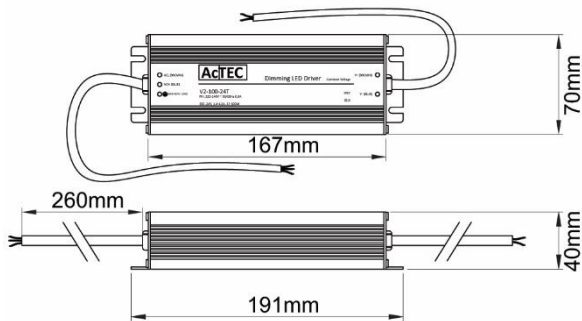
## KSRDL293



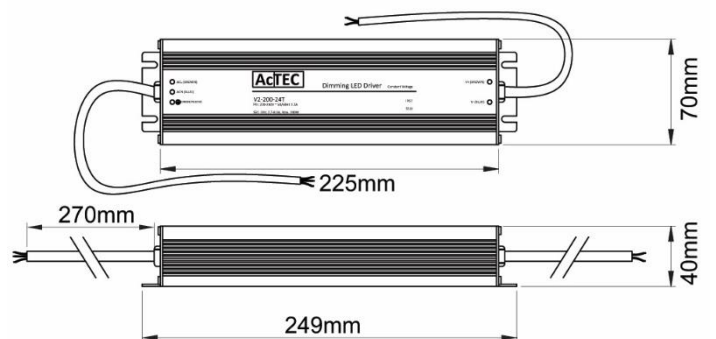
## KSRDL294



## KSRDL295



## KSRDL296



KSR Lighting is constantly developing and improving its products. For this reason, all product descriptions in this data sheet are intended as a general guide, and KSR may change specifications from time to time in the interest of product development, without prior notification or public announcement. All descriptions in this data sheet present only general particulars of the goods to which they refer and shall not form part of any contract. Data in this guide has been obtained in controlled experimental conditions. However, KSR Lighting cannot accept any liability arising from the reliance on such data to the extent permitted.