

Read these instructions before commencing installation. Please give these instructions to the owner/occupier after installation to retain for future reference/maintenance.

IP65 240VAC~50Hz 12W

These fittings are Class I and must be Earthed

### Important Information

It is recommended that these luminaires are installed and fitted by a qualified electrician ensuring the installation complies with current IEE wiring regulations & local building control. These products are designed for connection to a 240V~50Hz supply.

Any faulty, broken or damaged luminaires should be replaced immediately.

KSR will not accept responsibility for any claims arising from a poor installation.

Please Note: The limited warranty shall be deemed null and void in the following circumstances: Failure by the installer, end user or any third party to exercise caution to protect any covered product or part from outside damage, adverse temperature, humidity conditions, fluctuations in the electrical system or physical abuse as well as failure related to workmanship in the installation of the products or parts.

### Important User Advice

Always safely isolate mains supply before installing/servicing.

KSR recommends a cleaning schedule at least quarterly using non abrasive cleaners. Also installing a water repellent grease on all serviceable screws.

When using third party connectors always ensure that they are installed as per the manufacturers instructions and are at least equal to the luminaires IP rating (KSR recommend IP68). Failure to install correctly can cause issues with moisture ingress and will invalidate the products warranty.

To prevent damage to the driver, do not mix with conventional magnetic ballasts on the same electrical circuit.

At the end of life the luminaire is classed as WEEE under directive 2014/30/EU and should be disposed of in accordance with local legislation.

### Installation Procedure

Familiarize yourself with the luminaire/installation procedure and ensure the power is safely isolated before installing the luminaire.

Remove the 4 screws fastening the base plate to the luminaire and retain.

Using the base plate as a template (Fig. 1) install using suitable fixings for the substrate.

Using the supplied IP68 connector, terminate the wiring as per (Fig. 2).

Ensure that the connector is fully tightened to the cables on both sides of the connector ensuring a water tight seal. Insert the connector into the column of the luminaire.

This connector is not suitable for looping in and out.

Using the retained screws refit the luminaire to the base plate, KSR recommend greasing with a suitable water repellent grease.

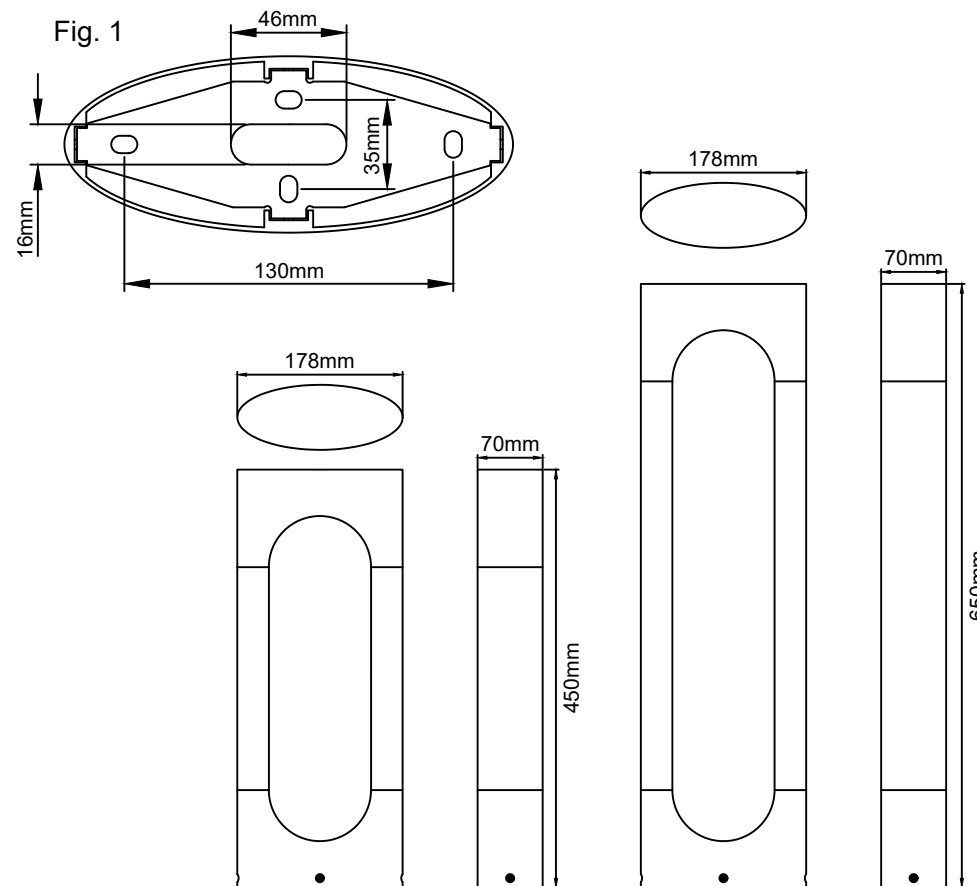
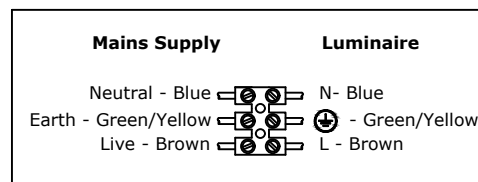


Fig. 2



Lamp Details	
	Light Source: Non-replaceable LED
	Wattage: 12W
	Lumens: 960
	Colour: 3000K
	CRI: Ra83

*This product contains a light source of energy efficiency class F  
The LED light source and Control Gear in this product can't be replaced.*



KSR Lighting Aftersales: 023 92 674343  
E-mail: aftersales@ksrlighting.com