



Available Finish: Anthracite

Read these instructions before commencing installation. Please give these instructions to the owner/occupier after installation to retain for future reference/maintenance.

IP54 240VAC~50Hz 10W LED Max.

These fittings are Class I and must be Earthed

**Important Information**

It is recommended that these luminaires are installed and fitted by a qualified electrician ensuring the installation complies with current IEE wiring regulations & local building control. These products are designed for connection to a 240V~50Hz supply.

Any faulty, broken or damaged luminaires should be replaced immediately.

KSR will not accept responsibility for any claims arising from a poor installation.

Please Note: The limited warranty shall be deemed null and void in the following circumstances: Failure by the installer, end user or any third party to exercise caution to protect any covered product or part from outside damage, adverse temperature, humidity conditions, fluctuations in the electrical system or physical abuse as well as failure related to workmanship in the installation of the products or parts.

**Important User Advice**

Always safely isolate mains supply before installing/servicing.

KSR recommends a cleaning schedule at least quarterly using non abrasive cleaners. Also installing a water repellent grease on all serviceable screws.

Failure to install cable/grommets correctly can cause issues with excessive water ingress.

At the end of life the luminaire is classed as WEEE under directive 2014/30/EU and should be disposed of in accordance with local legislation.

**Installation Procedure**

Familiarize yourself with the luminaire/installation procedure and ensure the power is safely isolated before installing the luminaire.

Loosen the 4 grub screws that hold the fixing bracket to the body of the luminaire.

Using a thin sharp pointed object (i.e. bradawl) put a hole in the grommet and feed cable (maximum 13mm diameter) through ensuring the outer sheath is inside the luminaire and a good seal is maintained.

Fix the bracket Fig. 1 using suitable fixings for the substrate.

Terminate cable as per Fig. 2.

The grommet is not suitable for looping in and out.

Ensure the gasket is installed correctly, that it is clean and not damaged.

Fit the luminaire to the fixing bracket (we recommend the use of a water repellent grease on all screws).

Remove the top cap by un-screwing anti-clockwise, remove the silicone cap and install a suitable LED lamp.

Replace the silicone cap ensuring it is sealing correctly around the top, re-fit the top cap by screwing clockwise (we recommend the use of a water repellent grease on all screw threads to aid future lamp changes).

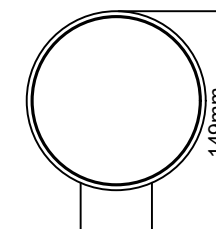
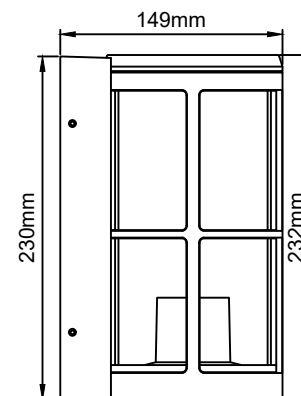
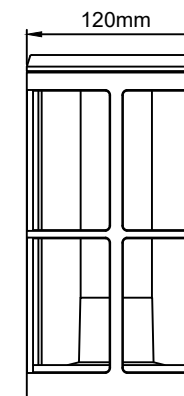
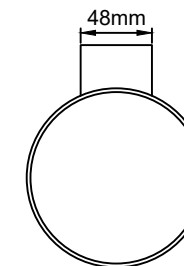


Fig. 1

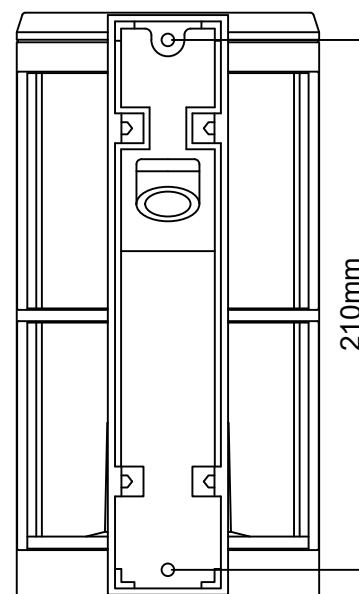
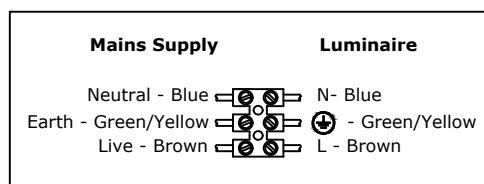


Fig. 2



**Lamp Details**

Lamp Cap: E27  
 Maximum Wattage: 10W LED  
 Maximum Lamp size:  
 H140mm x W68mm



KSR Lighting recommend using branded lamps  
 For example: Sylvania, GE, Philips or Osram

KSR Lighting Aftersales: 023 92 674343

E-mail: aftersales@ksrlighting.com