



Available Finish: Anthracite

Read these instructions before commencing installation. Please give these instructions to the owner/occupier after installation to retain for future reference/maintenance.

IP54 240VAC~50Hz 10W LED Max.

These fittings are Class I and must be Earthed

**Important Information**

It is recommended that these luminaires are installed and fitted by a qualified electrician ensuring the installation complies with current IEE wiring regulations & local building control. These products are designed for connection to a 240V~50Hz supply.

Any faulty, broken or damaged luminaires should be replaced immediately.

KSR will not accept responsibility for any claims arising from a poor installation.

Please Note: The limited warranty shall be deemed null and void in the following circumstances: Failure by the installer, end user or any third party to exercise caution to protect any covered product or part from outside damage, adverse temperature, humidity conditions, fluctuations in the electrical system or physical abuse as well as failure related to workmanship in the installation of the products or parts.

**Important User Advice**

Always safely isolate mains supply before installing/servicing.

KSR recommends a cleaning schedule at least quarterly using non abrasive cleaners. Also installing a water repellent grease on all serviceable screws.

Failure to install cable/grommets correctly can cause issues with excessive water ingress.

At the end of life the luminaire is classed as WEEE under directive 2014/30/EU and should be disposed of in accordance with local legislation.

**Installation Procedure**

Familiarize yourself with the luminaire/installation procedure and ensure the power is safely isolated before installing the luminaire.

Pull out the termination block using the plastic tab from the column of the luminaire.

Remove the rubber cover and using a thin sharp pointed object (i.e. bradawl) put a hole in the grommet and feed cable (maximum 8mm diameter) through ensuring the outer sheath is inside the terminal block and a good seal is maintained. Terminate cable as per Fig. 1 install cord grip and re-install the rubber cover.

This connector is not suitable for looping in and out.

Feed the terminal block back into the column of the luminaire.

Using the base plate as a template (Fig. 2) install using suitable fixings for the substrate.

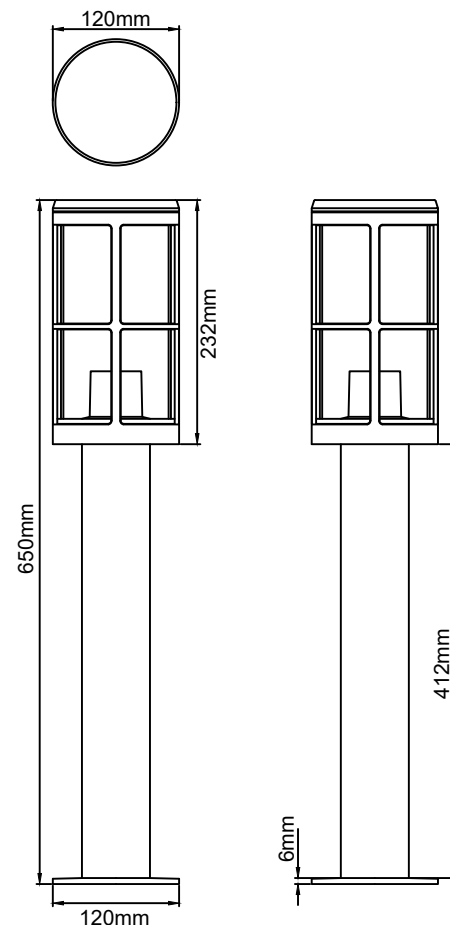
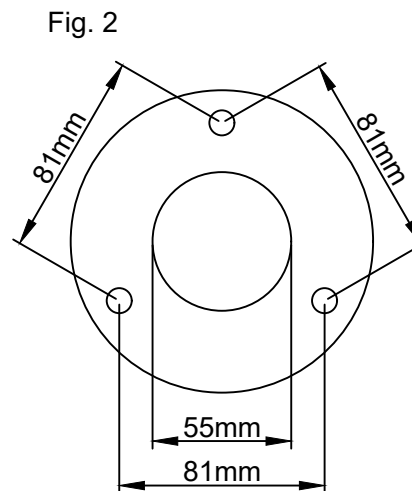
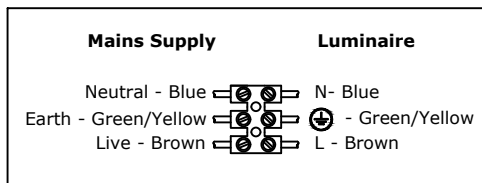


Fig. 1



**Lamp Details**

Lamp Cap: E27  
 Maximum Wattage: 10W LED  
 Maximum Lamp size:  
 H140mm x W68mm



KSR Lighting recommend using branded lamps  
 For example: Sylvania, GE, Philips or Osram

KSR Lighting Aftersales: 023 92 674343  
 E-mail: aftersales@ksrlighting.com