



Read these instructions before commencing installation. Please give these instructions to the owner/occupier after installation to retain for future reference/maintenance.

IP44 **UK** **CE** **240VAC~50HZ 12W & 18W**

These fittings are Class II and do not require to be Earthed

Important Information

It is recommended that these luminaires are installed and fitted by a qualified electrician ensuring the installation complies with current IEE wiring regulations & local building control. These products are designed for connection to a 240V~50Hz supply.

Any faulty, broken or damaged luminaires should be replaced immediately.

KSR will not accept responsibility for any claims arising from a poor installation.

Please Note: The limited warranty shall be deemed null and void in the following circumstances: Failure by the installer, end user or any third party to exercise caution to protect any covered product or part from outside damage, adverse temperature (normal operating ambient temperature -10 ~ +40°C), humidity conditions, fluctuations in the electrical system or physical abuse as well as failure related to workmanship in the installation of the products or parts.

Important User Advice

Always switch off mains supply before installing or servicing.

This luminaire is suitable for indoor use only and should not be fitted to damp or wet surfaces such as freshly plastered or painted ceilings.

Do not use Megger or similar high voltage instruments. Due to the fact this luminaire contains electronic components that maybe damaged by high test voltages, they must be disconnected from the circuit before testing. To prevent damage to the driver, do not mix with conventional magnetic ballasts on the same electrical circuit. At the end of life the luminaire is classed as WEEE under directive 2014/30/EU and should be disposed of in accordance with local legislation.

Installation Procedure

KSR recommends that a sample hole is cut in some scrap material to familiarise yourself with the installation. Once you are completely satisfied:

Locate the area's suitable to install these luminaires.

Cut a round hole following the guide below and ensure there is sufficient ceiling void without infringing on joists, water pipes or electrical cables.

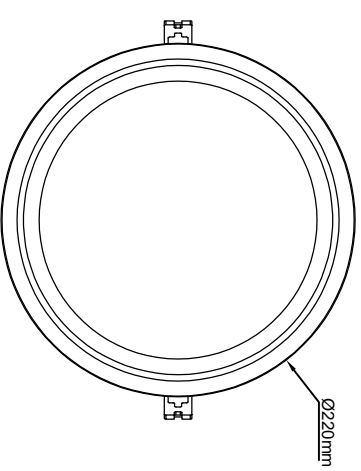
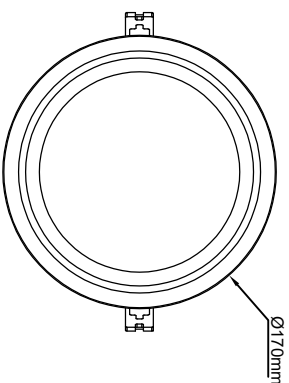
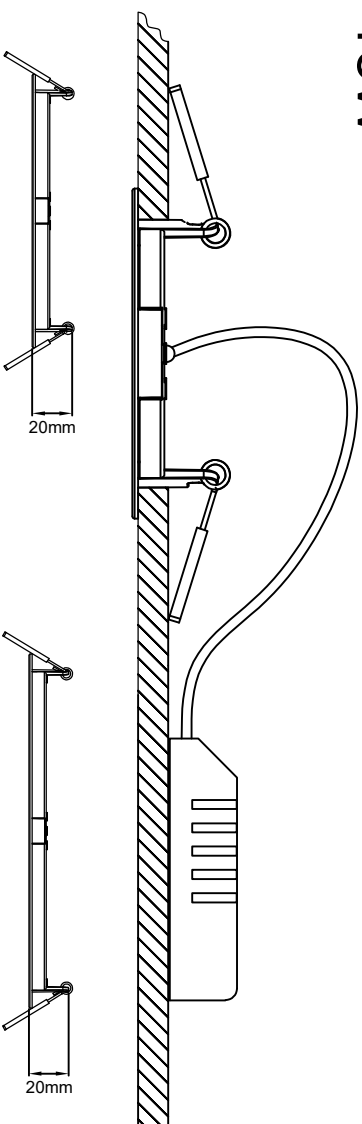
Connect your mains supply to the LED driver, (L) Live - Brown & (N) Neutral - Blue. These fittings are Class II and do not require an earth connection.

Place the LED driver into the ceiling void, push back the two spring clips and offer the luminaire in to the cutout, carefully release the springs and allow them to pull the fitting into place.

Ensure there is adequate free air ventilation around the driver and head unit.

***Please note: Depending on the amount of LED fittings on a circuit you may have to upgrade the breaker to a 'C' or 'D' type due to the way electronic LED drivers start up with higher inrush currents compared to halogen lighting.**

Available Rim Finishes: White Only



	ØRim Size	ØCut out	Void Depth Req'd	LED Wattage/ Colour/Lumens
KSR97192	170mm	155mm	40mm	12W - 3000K (845 lumens)
				- 4000K (995 lumens)
KSR97193	220mm	205mm	40mm	- 6000K (962 lumens)
				18W - 3000K (1455 lumens)
				- 4000K (1662 lumens)
				- 6000K (1605 lumens)

The light source of this luminaire is not replaceable; when the light source reaches its end of life the whole luminaire shall be replaced

Mains Supply

Live - Brown Live
N - Blue Neutral

Luminaire



KSR97192 contains a light source of energy efficiency class F

KSR97193 contains a light source of energy efficiency class E

KSR Lighting After-sales: 023 92 674343

E-mail: aftersales@ksrlighting.com