







Available finish: Black Finish

Read these instructions before commencing installation. Please give these instructions to the owner/occupier after installation to retain for future reference/maintenance.

IP65/IK10     240V~50Hz 100W

These fittings are Class I and must be Earthed

Important Information

It is recommended that these luminaires are installed and fitted by a qualified electrician ensuring the installation complies with current IEE wiring regulations & local building control. These products are designed for connection to a 240V~50Hz supply.

Any faulty, broken or damaged luminaires should be replaced immediately.

KSR will not accept responsibility for any claims arising from a poor installation.

Please Note: The limited warranty shall be deemed null and void in the following circumstances: Failure by the installer, end user or any third party to exercise caution to protect any covered product or part from outside damage, adverse temperature (normal operating ambient temperature -20 - 40°C), humidity conditions, fluctuations in the electrical system or physical abuse as well as failure related to workmanship in the installation of the products or parts.

Important User Advice

Always switch off mains supply before fitting or servicing.

This luminaire is suitable for indoor use only and should not be fitted to damp or wet surfaces such as freshly plastered or painted surfaces.

Do not use Megger or similar high voltage instruments. Due to the fact this luminaire contains electronic components that maybe damaged by high test voltages, they must be disconnected from the circuit before testing. To prevent damage to the luminaire, do not mix with conventional magnetic ballasts on the same electrical circuit.

At the end of life the luminaire is classed as WEEE under directive 2014/30/EU and should be disposed of in accordance with local legislation.

Installation Procedure

Isolate Mains before Installation

Eye Hook Suspension Option

Using the Suspension Eye hook provided and suitable suspension method, ensure screw lock on eye hook is fully tightened before proceeding to wire luminaire to mains.

Connect mains supply cable to Mains Supply (L,E,N)

Turn on Mains and Test Luminaire

Surface Mounting Bracket (KSR98208) Option

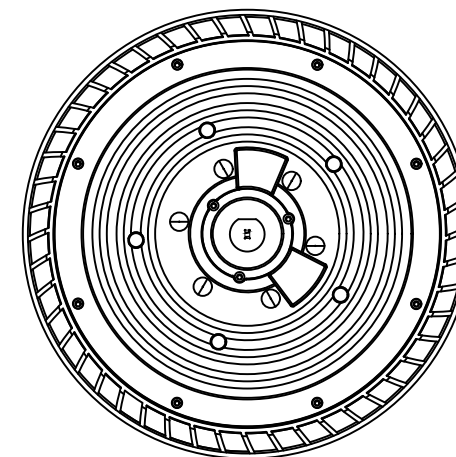
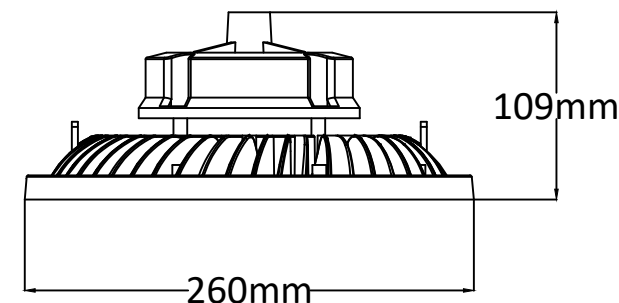
For Mounting Bracket option using fixings provided to secure the bracket to the high bay, ensure fixings are fully tightened before mounting onto mounting surface. When bracket is secure proceed to wire luminaire to mains.

Connect mains supply cable to Mains Supply (L,E,N)

Turn on Mains and Test Luminaire.

If using optional KSR98203 sensor accessory please turn over for installation and operation instruction using the KSR98204 Remote Programmer.

*Please note: Depending on the amount of LED fittings on a circuit you may have to upgrade the breaker to a 'C' or 'D' type due to the way electronic LED drivers start up with higher inrush currents compared to HID lighting.



Lamp Details					
Product Code	Description	Dimensions L x H	Wattage	Colour	Lumens
KSR98200	Navara HBX 100w	260mm DIA x 109mm	100W	4000K	12910
The light source of this luminaire is not replaceable; when the light source reaches its end of life the light source and control gear shall be replaced					

This product contains a light source of energy efficiency class D

KSR Lighting Aftersales: 023 92 674343

E-mail: aftersales@ksrlighting.com



Available finish: Black Finish

Read these instructions before commencing installation. Please give these instructions to the owner/occupier after installation to retain for future reference/maintenance.

IP65 **UK CA** **CE** **0.5m** **12VDC**

Instructions

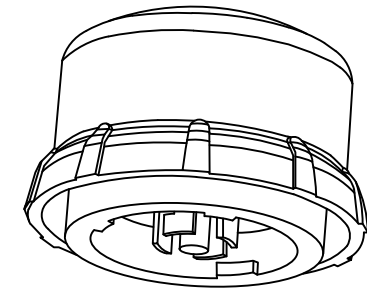
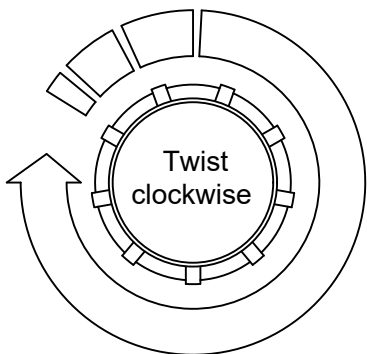
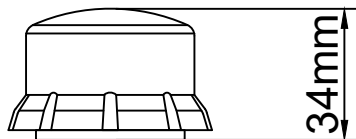
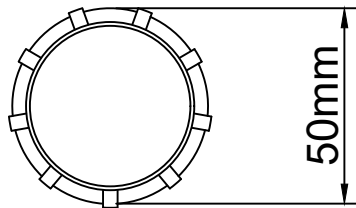
Please note mains must be isolated before sensor is installed

- Fit Sensor by lining up locking Pins into socket on High bay and twist clockwise to lock onto Highbay

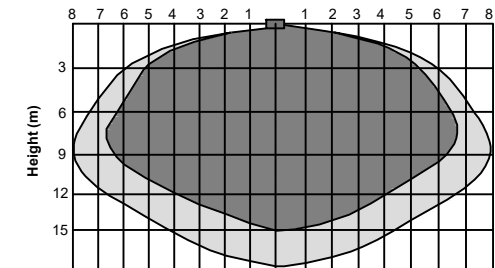
Microwave sensors will detect movement through certain materials, if this occurs reduce the detection area until any nuisance triggering stops.

Sensor Specification

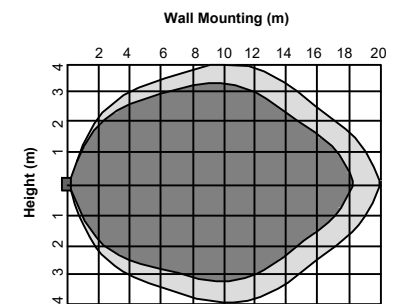
Operating Voltage	12VDC
Control Method	1-10V
Sensitivity	10%/50%/75%/100%
Hold-time	2s/30s/1min/5min/10min
Stand-by time	0s/10s/1min/10min/30min/Infinity
Stand-by dim level	10%/20%/30%
Daylight Sensor	2~50lux, Disable
Microwave Frequency	5.8 GHz +/- 75MHz
Transmitting Power	<1mW
Stand-by Power	<0.3W
Detection Range	Max Installation Height 15m Max Detection Range Ø20m @ 8m
Detection Angle	30°~150°
Work Temperature	-20°~+60°C
IP Rating	IP65



Ceiling Mounting (m)



■ High Sensitivity Area □ Low Sensitivity Area



■ High Sensitivity Area □ Low Sensitivity Area



KSR Lighting Aftersales: 023 92 674343
E-mail: aftersales@ksrlighting.com



Available finish: Black Finish

Read these instructions before commencing installation. Please give these instructions to the owner/occupier after installation to retain for future reference/maintenance.



Permanent On/Off function

This button turns the Light ON or OFF and disables the sensor. To change this setting Press 'Auto Mode', 'RESET' or 'Scene Mode'.

Auto Mode

Pressing this button activates the sensor and reverts all settings to those selected before the light was switched ON/OFF

Reset Function

By pressing the RESET button, all settings made with the remote are removed.

Dim +/-

Press and hold + or - to adjust the brightness between 10% and 100% during the Standby Period

Test Mode

Press this button to enter Test Mode. In test Mode Hold time is reduced to 2 seconds. The Stand-by Period and Daylight Sensor is disabled. Exit Test Mode by pressing 'RESET' or any 'Scene mode' or 'Hold Time' Button.

Detection Range

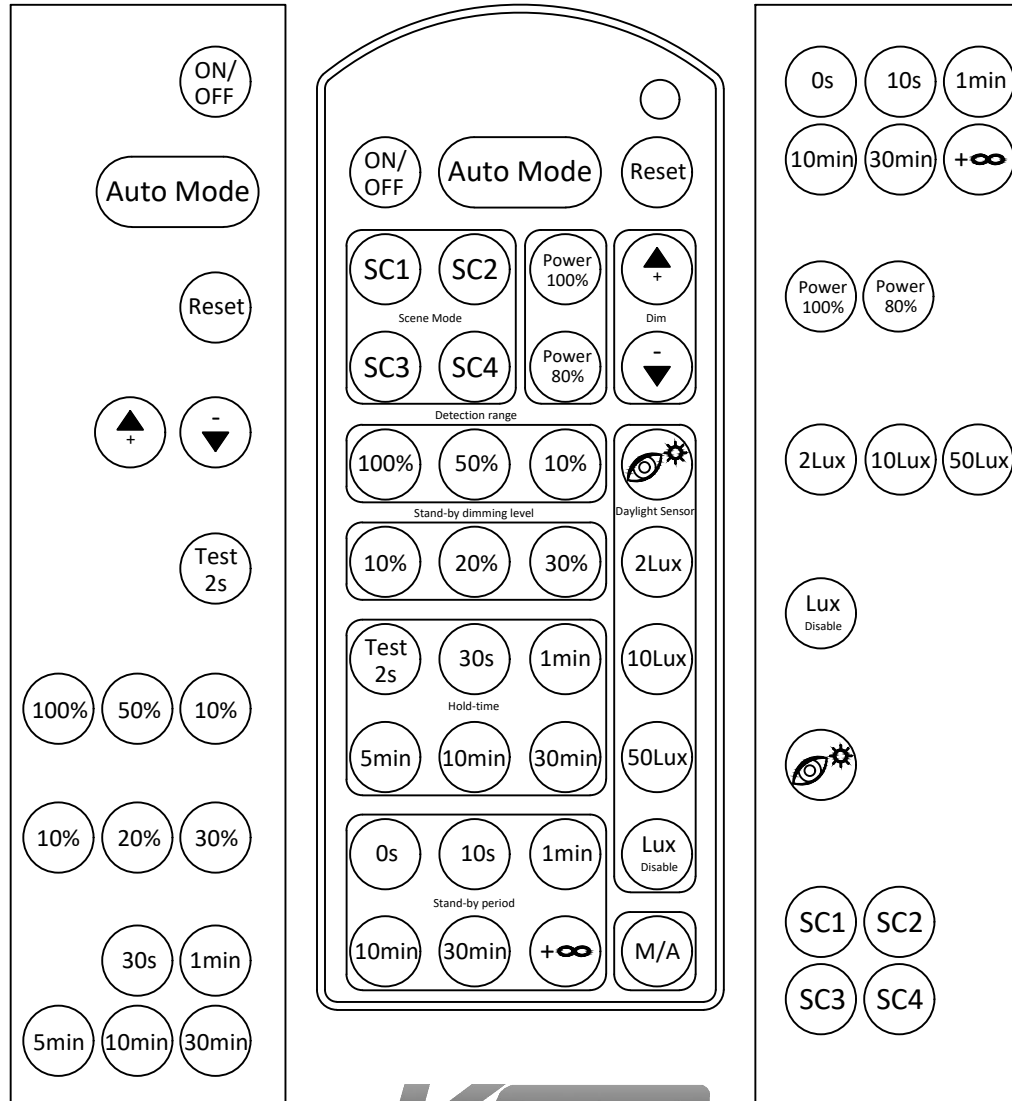
Press this button to reduce sensitivity

Standby Dimming Level

Use these buttons to set your desired dimming level during the Standby period.

Hold Time (Hold Period)

Use these buttons to set the duration of the Hold Period



Standby Period

Use these buttons to set the duration of the Standby Period

Power Output

These button switches output of the luminaire between 80% and 100%. This makes it possible to conserve power in rooms or areas where 80% output is sufficient.

Lux Control

Use these buttons to set your desired threshold for the daylight sensor function. When the ambient level of natural light is less than your selected level, the fitting will turn ON.

Lux Disable

Press this button to disable the built-in daylight sensor. Once disabled, the sensor will activate the light when someone is present, regardless of the amount of ambient light.

Daylight Sensor Threshold

Press this button to set the lux value currently measured by the sensor as the new threshold for the daylight sensor. This replaces the previous setting. If the amount of ambient light exceeds this threshold, the luminaire will not turn ON.

Scene Mode

For SC1-SC4 you can choose between these alternative settings

Detection Range	Hold Time	Standby Period	Standby Dim Level	Daylight Sensor
100%	1 min	10 min	10%	2 Lux
100%	5 min	10 min	10%	2 Lux
100%	10 min	30 min	10%	10Lux
100%	10 min	+∞	10%	50Lux



KSR Lighting Aftersales: 023 92 674343
E-mail: aftersales@ksrlighting.com