



Read these instructions before commencing installation. Please give these instructions to the owner/occupier after installation to retain for future reference/maintenance.

Available finish: Black Finish

**IP65/IK10** **UK CE**  $\varnothing$  0.5m **240V~50HZ 100W**

**These fittings are Class I and must be Earthed**

**Important Information**

It is recommended that these luminaires are installed and fitted by a qualified electrician ensuring the installation complies with current IEE wiring regulations & local building control. These products are designed for connection to a 240V~50Hz supply.

Any faulty, broken or damaged luminaires should be replaced immediately. KSR will not accept responsibility for any claims arising from a poor installation.

Please Note: The limited warranty shall be deemed null and void in the following circumstances: Failure by the installer, end user or any third party to exercise caution to protect any covered product or part from outside damage, adverse temperature (normal operating ambient temperature -15 - 40°C), humidity conditions, fluctuations in the electrical system or physical abuse as well as failure related to workmanship in the installation of the products or parts.

**Important User Advice**

Always switch off mains supply before fitting or servicing.

This luminaire is suitable for indoor use only and should not be fitted to damp or wet surfaces such as freshly plastered or painted surfaces.

Do not use Megger or similar high voltage instruments. Due to the fact this luminaire contains electronic components that maybe damaged by high test voltages, they must be disconnected from the circuit before testing. To prevent damage to the luminaire, do not mix with conventional magnetic ballasts on the same electrical circuit. At the end of life the luminaire is classed as WEEE under directive 2014/30/EU and should be disposed of in accordance with local legislation.

**Installation Procedure**

Isolate Mains before Installation

**Suspension/Carabineer Clip Option**

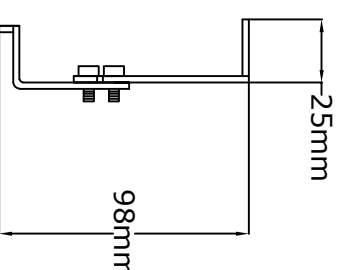
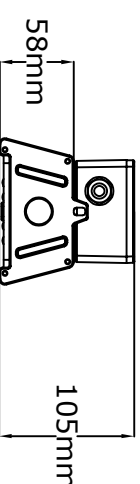
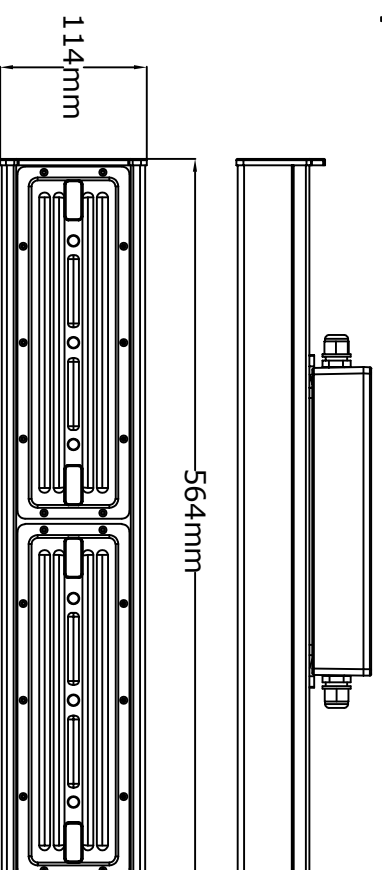
Using the Suspension Kit provided, ensure clips are secured to low bay mounting points before proceeding to wire luminaire to mains. Please see overleaf for guidance  
Connect a mains supply cable to Mains Supply (L,E,N)  
Turn on Mains and Test Luminaire

**Surface Mounting Bracket Option**

For Mounting Bracket option using fixings provided to secure the bracket to the high bay, ensure fixings are fully tightened before mounting onto mounting surface. When bracket is secure proceed to wire luminaire to mains. Please see overleaf for guidance  
Connect mains supply cable to Mains Supply (L,E,N)  
Turn on Mains and Test Luminaire.

If using optional KSR98225 sensor accessory please refer to separate installation sheet KSR98255-IS-A.

\* Please note: Depending on the amount of LED fittings on a circuit you may have to upgrade the breaker to a 'C' or 'D' type due to the way electronic LED drivers start up with higher inrush currents compared to HID lighting.



Lamp Details					
Product Code	Description	Dimensions L x W x H	Wattage	Colour	Lumens
KSR98220	Navara LBX 100w	564mm x 114mm x 105mm	100W	4000K	12655

The light source of this luminaire is not replaceable; when the light source reaches its end of life the light source and control gear shall be replaced

*This product contains a light source of energy efficiency class D*



KSR Lighting After-sales: 023 92 674343  
E-mail: aftersales@ksrlighting.com

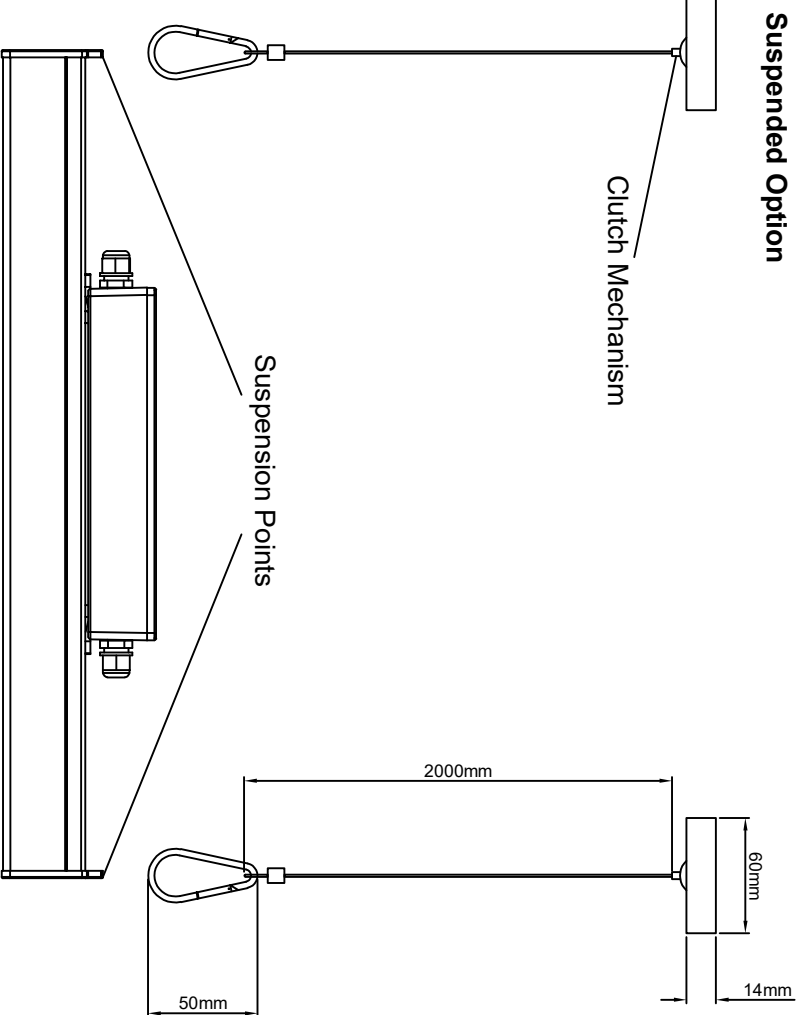
Available finish: Black Finish

Read these instructions before commencing installation. Please give these instructions to the owner/occupier after installation to retain for future reference/maintenance.

**IP65/IK10**  **UK CA**  **CE**   $\varnothing 0.5m$   **240V~50HZ 100W**

These fittings are Class I and must be Earthed

**Suspended Option**

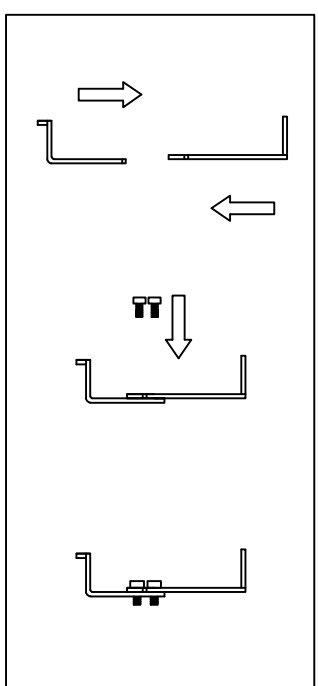


**Installation Procedure:**

1. Locate a suitable location for the luminaire to be installed
2. Using the fixings provided fix ceiling roses onto a suitable surface
3. Now using suspension cable provided attach carabineer clips to suspension wires
4. Proceed to attach carabineer clips to mounting points on the lowbay as indicated
5. Finally check the fitting is secure and level, this can be adjusted at the ceiling rose via the clutch mechanism

Please Note that if a longer length of suspension cable is required that the suspension cable alternative must be equal to or better than the cable provided which is 1.5mm<sup>2</sup> DIA.

**Surface Bracket Option**



**Installation Procedure:**

1. Locate a suitable location for the luminaire to be installed
2. Using the fixings provided assemble the two piece mounting bracket as shown above with the 4mm Allen key provided.
3. Proceed to attach the mounting bracket onto the low bay using the fixings provided, the locking nut needs to be located into the channel on top of the low bay, once fitted lock into place with the lock screw, when full tightened the lock nut will hold in place.
4. If required you can adjust the angle of the mounting bracket to suit application by re-tightening this adjustment screw
5. Once you have secured bracket onto luminaire and adjusted the angle of the bracket to suit application proceed to secure bracket onto suitable mounting surface with the fixings provided.

