



Read these instructions before commencing installation. Please give these instructions to the owner/occupier after installation to retain for future reference/maintenance.

IP65 IK10 **240V~50Hz 8W/12W**

These fittings are Class II and do not need an Earth, but Earth provision is provided.

## Important Information

It is recommended that these luminaires are installed and fitted by a qualified electrician ensuring the installation complies with current IEE wiring regulations & local building control. These products are designed for connection to a 240V~50Hz supply. Any faulty, broken or damaged luminaires should be replaced immediately. KSR will not accept responsibility for any claims arising from a poor installation.

**Please Note:** The limited warranty shall be deemed null and void in the following circumstances: Failure by the installer, end user or any third party to exercise caution to protect any covered product or part from outside damage, adverse temperature (normal operating ambient temperature -10°C - +35°C), humidity conditions, fluctuations in the electrical system or physical abuse as well as failure related to workmanship in the installation of the products or parts.

## Important User Advice

Always switch off mains supply before servicing.

Do not use Megger or similar high voltage instruments. Due to the fact this luminaire contains electronic components that maybe damaged by high test voltages, they must be disconnected from the circuit before testing.

To prevent damage to the driver, do not mix with conventional magnetic ballasts on the same electrical circuit. At the end of life the luminaire is classed as WEEE under directive 2014/30/EU and should be disposed of in accordance with local legislation.

## Installation Procedure

Isolate mains supply before installation.

Remove rim, diffuser and gear tray by turning the rim anti-clockwise.

Remove the rim, diffuser and gear tray from the body by unclipping the support strap.

Pass supply wires through grommet into the base section, taking care to ensure they are not trapped between the fitting and mounting surface.

Fix base to the wall, ceiling or besa box using adequate fixings with regard to the type of surface using the fixing positions shown in Fig 1.

Ensure incoming cables are protected, re-attach the support strap.

Terminate wiring as per Fig. 2, please note an Earth terminal is only supplied to aid the continuation of the Earth circuit.

Select LED colour and wattage required using the switches on the LED driver Note: Never change the LED colour or wattage with the luminaire powered on as this can damage the luminaire. Fig. 3.

Install rim, diffuser and gear tray by lining up lugs and twisting clockwise to lock in place.

Turn on the mains supply and test luminaire.

\*Please note: Depending on the amount of fittings on a circuit you may have to upgrade the breaker to a 'C' or 'D' type to avoid nuisance tripping.

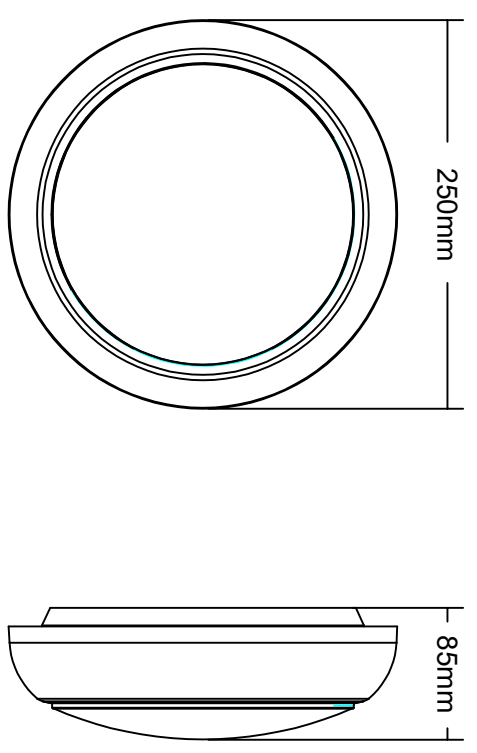


Fig. 1

Fixing Positions

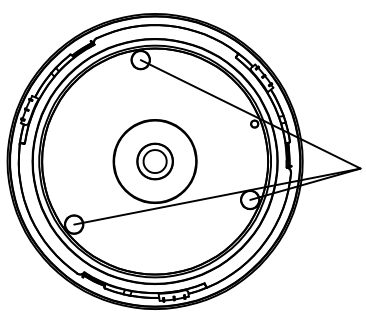


Fig. 2

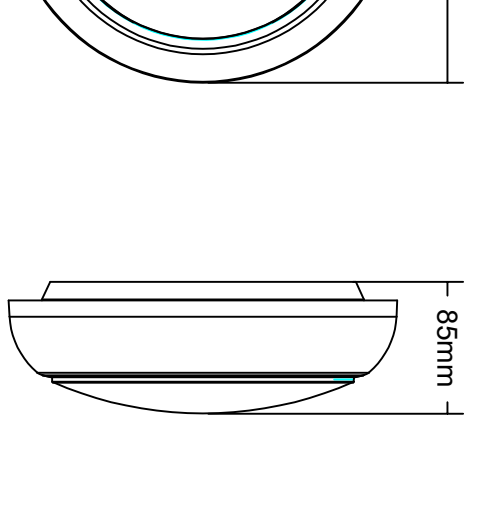
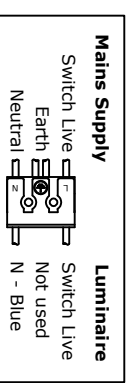
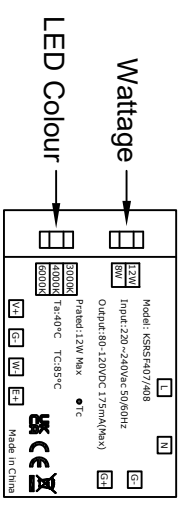


Fig. 3



### Lamp Details

Lamp: LED  
Wattage: 8W, 12W  
Colour: 3000K, 4000K and 6000K CCT  
CRI: Ra>89

CCT	Lumen output		
	3000K	4000K	6000K
8W	760lm	820lm	790lm
12W	1050lm	1155lm	1080lm

This product contains a light source of energy efficiency class F



KSR Lighting Aftersales: 023 92 674343  
E-mail: aftersales@ksrlighting.com