



Available finish:- White/Opal

Read these instructions before commencing installation. Please give these instructions to the owner/occupier after installation to retain for future reference/maintenance.

IP20 IK06 240V~50Hz 20W-65W

Important Information

It is recommended that these luminaires are installed and fitted by a qualified electrician ensuring the installation complies with current IEE wiring regulations & local building control. These products are designed for connection to a 240V~50Hz supply. Any faulty, broken or damaged luminaires should be replaced immediately. KSR will not accept responsibility for any claims arising from a poor installation. Please Note: The limited warranty shall be deemed null and void in the following circumstances: Failure by the installer, end user or any third party to exercise caution to protect any covered product or part from outside damage, adverse temperature (normal operating ambient temperature (0 ~ +40°C), humidity conditions, fluctuations in the electrical system or physical abuse as well as failure related to workmanship in the installation of the products or parts.

Important User Advice

Always switch off mains supply before servicing. This luminaire is suitable for indoor use only and should not be fitted to damp or wet surfaces such as freshly plastered or painted ceilings. Do not use Megger or similar high voltage instruments. Due to the fact this luminaire contains electronic components that maybe damaged by high test voltages, they must be disconnected from the circuit before testing. To prevent damage to the driver, do not mix with conventional magnetic ballasts on the same electrical circuit. At the end of life the luminaire is classed as WEEE under directive 2014/30/EU and should be disposed of in accordance with local legislation.

Installation Procedure

Familiarize yourself with the luminaire and ensure the power is turned off before installing the fitting. Loosen the 2 retaining screws located one each end of the body. Remove the diffuser, the diffuser has a lip so working from one end compress the diffuser to release the lip. The diffuser can be left attached to the fitting with the 2 retaining springs or the diffuser can be removed by unclipping the springs. Offer the main body up to the ceiling and mark the fixing points. If using surface conduit ensure the besa boxes are at 600mm centres. Secure the main body in place using suitable fixings for the application, dressing the supply cable though either of the three rear entry points using grommet supplied or via the end caps using suitable cable glands.

Connect the mains wiring, (SL) Switch Live, Unswitched Live (PL), Neutral (N) and Earth (⊕).

Switch the CCT switch to the required LED colour and the output switch to the required power. *Never switch the CCT or the wattage while powered on as this can damage the Luminaire.*

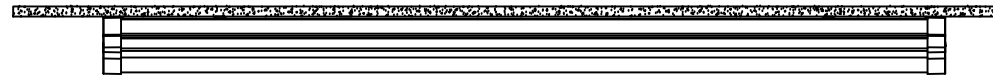
If removed re-connect the retaining springs, ensure the retaining screws are not going to foul the casing, then refit the diffuser by clipping back into place (you may find it easier to insert one side first like a hinge then clip the remaining side into place). Ensuring you secure by tightening the retaining screws each end, do not over tighten.

Turn on the power and test the luminaire.

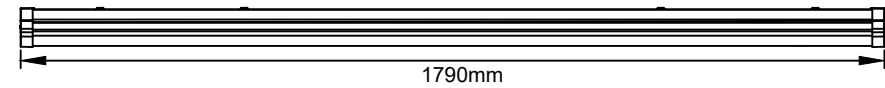
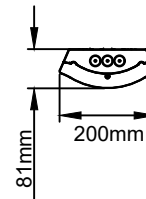
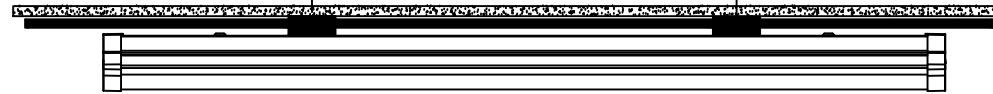
After Battery has been connected, this fitting requires a 24 Hour initial charge period prior to any emergency testing, please see overleaf for testing routine, write on the battery label in permanent ink the date of commissioning. All results must be recorded and left with the end user. The battery has a rated duration of at least 4 years but should be replaced if the duration of operation is less than 3 hours after a 24hr charge time with no interrupted supply.

Please Note LEDs are an inductive load so to avoid unwanted MCB tripping it may be necessary to uprate your breakers.

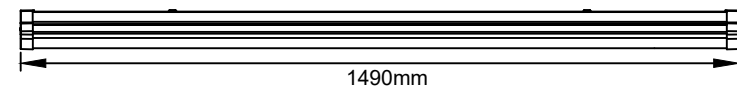
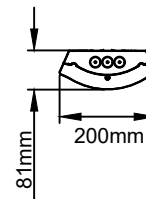
Surface Mount



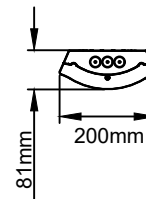
Beza box Mount



KSR98194



KSR98192



KSR98190

The light source of this luminaire is not replaceable; when the light source reaches its end of life the light source and control gear shall be replaced



This product contains a light source of energy efficiency class E

KSR Lighting Aftersales: 023 92 674343
E-mail: aftersales@ksrlighting.com

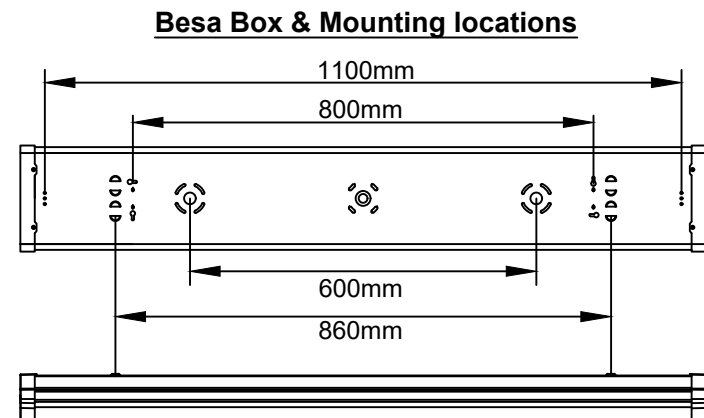


Read these instructions before commencing installation. Please give these instructions to the owner/occupier after installation to retain for future reference/maintenance.

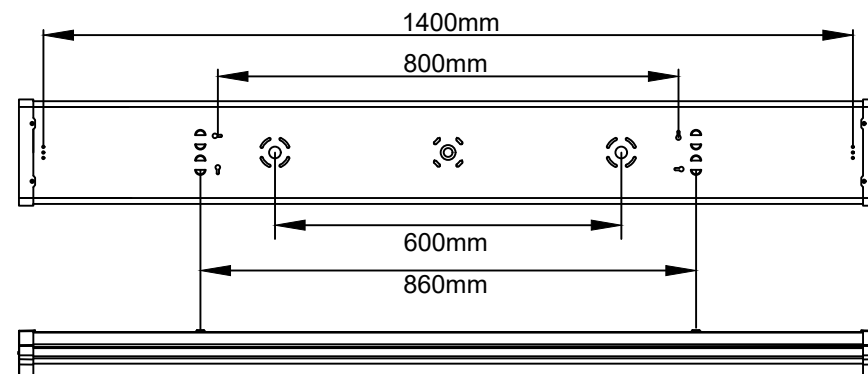
IP20 IK06 240V~50Hz 20W-65W

These fittings are Class I and must be Earthed

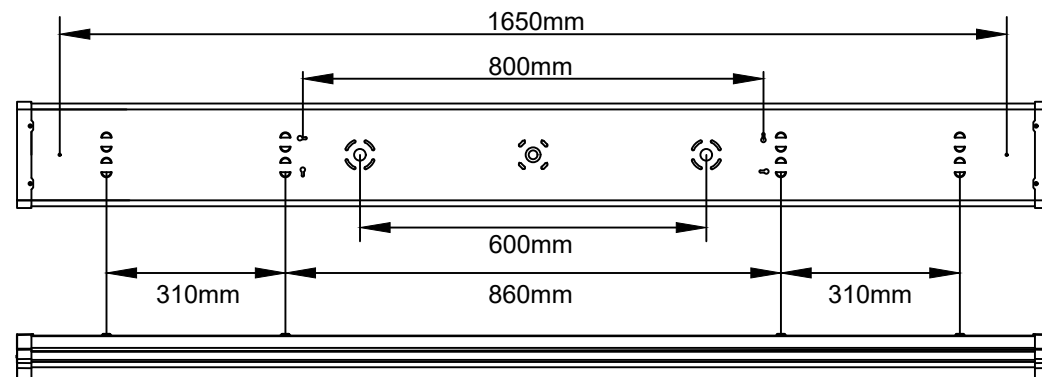
4FT Version



5FT Version



6FT Version



Besa Box & Mounting locations

Product Code	Description	Wattage	Colour	Lumens
KSR98190	Navara X4 Pro - Select 3CCT	20W	3000K	2457
			4000K	2376
			6000K	2465
		38W	3000K	4270
			4000K	4126
			6000K	4378
KSR98192	Navara X5 Pro - Select 3CCT	30W	3000K	3677
			4000K	3573
			6000K	3700
		58W	3000K	6623
			4000K	6480
			6000K	6665
KSR98194	Navara X6 Pro - Select 3CCT	40W	3000K	4700
			4000K	4474
			6000K	4784
		65W	3000K	7280
			4000K	7185
			6000K	7400



KSR Lighting Aftersales: 023 92 674343
E-mail: aftersales@ksrlighting.com



All tests must be undertaken at times of least risk and in accordance with EN 50172:2004 as indicated below:

Daily:

LED charge indicators shall be visually inspected for correct operation.

Monthly:

(in addition to the daily check) If automatic testing devices are used, the results of the short duration tests shall be recorded.

Test shall be carried out as follows:

1. Switch the luminaire over to emergency mode to operate from the batteries by simulating a failure of supply to the emergency circuit for a period sufficient to ensure correct luminaire operation.

Note: The period of simulation failure should be sufficient for the purpose of this clause whilst minimising damage to the system components e.g lamps. During this period, all luminaires shall be checked to ensure that they are present, clean and functioning correctly. At the end of this test period, the unswitched supply should be restored and any indicator lamp or device should be checked to ensure that is showing that the supply has been restored.

Annually:

If automatic testing devices are used, the results of the short duration tests shall be recorded. For all other systems the monthly inspection shall be carried out and the following additional tests made:

1. Each luminaire shall be tested monthly as above but for its full duration in accordance with the manufacturer's information.
2. The unswitched supply for the luminaire should be restored and any charge indicator lamp or device should be checked to ensure that it shows the unswitched supply has been restored. The charging arrangements should be checked for proper functioning.
3. The date of the test and its results shall be recorded in the system logbook.

A copy of this report must accompany any emergency luminaire returned to KSR Lighting for any reason.



