



Read these instructions before commencing installation. Please give these instructions to the owner/occupier after installation to retain for future reference/maintenance.

IP20↑
IP65↓

240V~50Hz 5W/7W

These fittings are Class I and must be Earthed

Part "B"



BS476
Part 21

Part "C"

Compliant
Stops moisture &
air flow through
the luminaire

Available finishes: White, Antique Brass, Brass, Copper, Black, Chrome, Satin Chrome or Stainless Steel

Important Information

It is recommended that these luminaires are installed and fitted by a qualified electrician ensuring the installation complies with current IEE wiring regulations & local building control.

These products are designed for connection to a 240V~50Hz supply.

Any faulty, broken or damaged luminaires should be replaced immediately.

KSR will not accept responsibility for any claims arising from a poor installation.

Please Note: The limited warranty shall be deemed null and void in the following circumstances: Failure by the installer, end user or any third party to exercise caution to protect any covered product or part from outside damage, adverse temperature (normal operating ambient temperature 0 ~ +35°C), humidity conditions, fluctuations in the electrical system or physical abuse as well as failure related to workmanship in the installation of the products or parts.

Important User Advice

Always switch off mains supply before servicing.

This luminaire is suitable for indoor use only and should not be fitted to damp or wet surfaces such as freshly plastered or painted ceilings.

Do not use Megger or similar high voltage instruments. Due to the fact this luminaire contains electronic components that maybe damaged by high test voltages, they must be disconnected from the circuit before testing. To prevent damage to the driver, do not mix with conventional magnetic ballasts on the same electrical circuit. At the end of life the luminaire is classed as WEEE under directive 2014/30/EU and should be disposed of in accordance with local legislation.

Installation Procedure

KSR recommends that a sample hole is cut in some scrap material to familiarise yourself with the installation. Once you are completely satisfied:

Locate the area's suitable to install these luminaires.

Cut a 72mm round hole in the ceiling and ensure sufficient ceiling void without infringing on joists, water pipes or electrical cables.

Connect the mains supply to the Pro connector block (Blue - Neutral, Yellow/Green - Earth and Brown - Live). The snap up / down lever terminals allows mains loop in/loop out connections, if not looping through either of the L, E & N inputs can be used. Install the terminal cover/strain relief by pushing down until it grips the outer cable insulation.

Select the preferred colour temperature by sliding the selector switch to either Very Warm White (2700K), Warm White (3000K), Neutral White (4000K) or Cool White (6000K).

Proceed to Select the preferred Output via the Wattage Selector Switch either 5W or 7W

This must be done before the luminaire is powered on. Press springs back and place luminaire body into aperture.

If you are installing one of the KSR detachable rims remove the standard white rim by pulling the trim off of the main fitting, do not twist the trim. Attach new trim by pushing and snapping it into place.

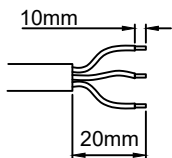
This downlight can be loosely covered with mineral wool insulation.

**Please note: Depending on the amount of Qr fittings on a circuit you may have to upgrade the breaker due to the way electronic LED drivers start up with higher inrush currents compared to halogen lighting. If dimming see the recommended dimmers list over the page or visit www.ksrlighting.com for information on the latest compatible dimmers any other questions please call our sales office*

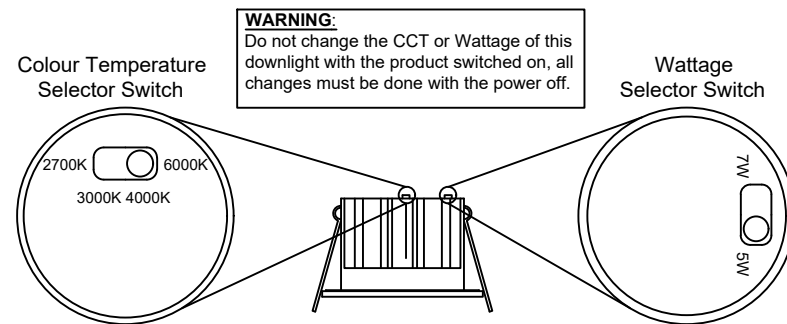
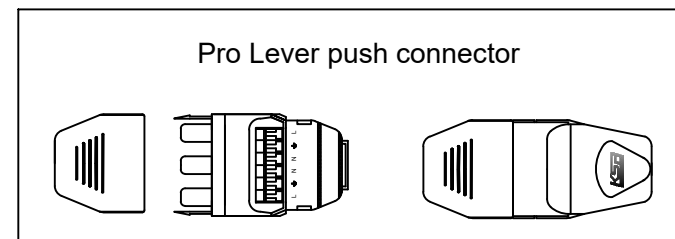
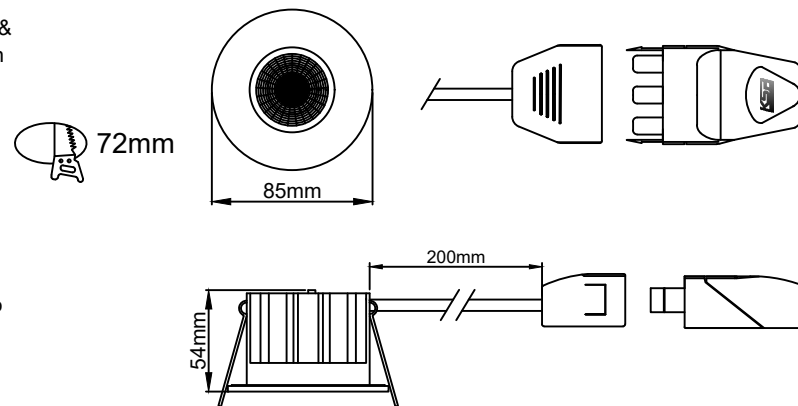
This product contains a light source of energy efficiency class E

Installer Note:

To ensure a good connection strip back a minimum of 10mm of insulation, push the cable firmly into the connector and close the lever.



KSR Lighting Aftersales: 023 92 674343
E-mail: aftersales@ksrlighting.com



Rim Size	Cut out	Void Depth Required	Beam Angle	Dimmable	CCT	Lumen output per head	
						5W	7W
85mm	72mm	70mm	64°	Yes	2700K	560lm	700lm
					3000K	590lm	760lm
					4000K	640lm	820lm
					6000K	635lm	795lm

The light source of this luminaire is not replaceable; when the light source reaches its end of life the whole luminaire shall be replaced