



Estela II IP44 Shaverlight

Bathroom Lighting

Data Sheet

Product Information

The Estela II Shaverlights are supplied complete with 115V / 230V shaver outputs making them ideal for use in toilets, restrooms, cloakrooms etc in domestic, commercial, or retail environments.

Product Features

- 3-year warranty
- IP44
- Class I.
- 10W – 880 Lumens
- 115V / 230V Shaver Output
- 4000K
- CRI: Ra80
- 135 Degree Beam Angle
- Polycarbonate Housing & Diffuser
- Direct replacement for 60W Incandescent mirror lights
- Non – Dimmable
- L70 – 30,000hrs

Product Specification

Product Code	Product Description	Wattage (W)	CCT (K)	CRI (Ra)	Lumens (lm)	Protection Class
KSR6177	10W 4000K LED Dual Voltage Shaverlight	10W	4000	84	880	I

Nominal voltage	220~240VAC
Operating frequency	50/60Hz
Circuit Wattage	9.8W including driver losses
Circuit Current	0.15A
PFC	0.5
Ambient temperature range	0°C to +35°C
IP rating	44
Weight	0.85kg

Construction

Body:	Polycarbonate
Diffuser:	Opal Polycarbonate

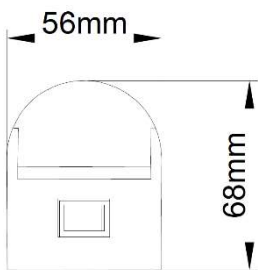
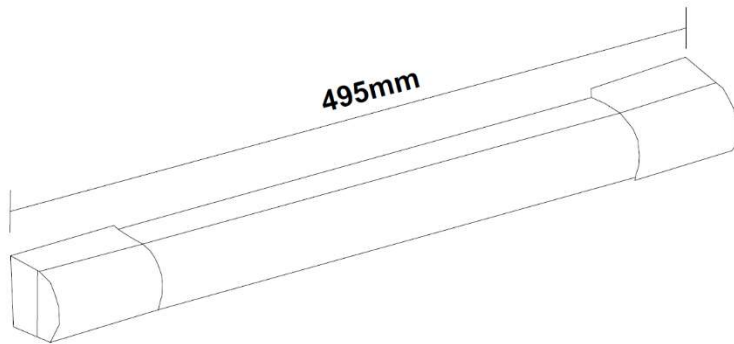
Standards

BSEN60598-1:2021	Luminaires – Part 1: General requirements and tests
------------------	---

In Conformity with

LVD	Low voltage directive 2014/35/EU
EMC	Electromagnetic compatibility directive 2014/30/EU
ERP	Energy related products directive 2019/2020/EC
RoHS	Restriction of hazardous substances 2015/863/EU

Product Dimensions



KSR Lighting is constantly developing and improving its products. For this reason, all product descriptions in this data sheet are intended as a general guide, and KSR may change specifications from time to time in the interest of product development, without prior notification or public announcement. All descriptions in this data sheet present only general particulars of the goods to which they refer and shall not form part of any contract. Data in this guide has been obtained in controlled experimental conditions. However, KSR Lighting cannot accept any liability arising from the reliance on such data to the extent permitted.