



Read these instructions before commencing installation. Please give these instructions to the owner/occupier after installation to retain for future reference/maintenance.

IP44 UK CA CE 0.3m 240V~50Hz 8W

These fittings are Class II and do not require an Earth

Important Information

It is recommended that these luminaires are installed and fitted by a qualified electrician ensuring the installation complies with current IEE wiring regulations & local building control. These products are designed for connection to a 240V~50Hz supply. Any faulty, broken or damaged luminaires should be replaced immediately. KSR will not accept responsibility for any claims arising from a poor installation. Please Note: The limited warranty shall be deemed null and void in the following circumstances: Failure by the installer, end user or any third party to exercise caution to protect any covered product or part from outside damage, adverse temperature (normal operating ambient temperature 0 - +35°C), humidity conditions, fluctuations in the electrical system or physical abuse as well as failure related to workmanship in the installation of the products or parts. Indoor use only.

Important User Advice

Always switch off mains supply before servicing. This luminaire is suitable for indoor use only and should not be fitted to damp or wet surfaces such as freshly plastered or painted walls. Do not use Megger or similar high voltage instruments. Due to the fact this luminaire contains electronic components that maybe damaged by high test voltages, they must be disconnected from the circuit before testing. To prevent damage to the driver, do not mix with conventional magnetic ballasts on the same electrical circuit. At the end of life the luminaire is classed as WEEE under directive 2014/30/EU and should be disposed of in accordance with local legislation

Installation Procedure

Familiarize yourself with the luminaire/installation procedure and ensure the power is safely isolated before installing the luminaire.

- Locate Area(s) suitable for installation.
- Using a suitable screwdriver, release the two backplate screws located on the topside of luminaire (Fig,1).
- With both screws removed, fix the backplate to a suitable surface using the fixings provided (Fig.2).
- With the plastic connection enclosure free, use a suitable screwdriver to open up the housing to make your cable connections.
- Connect the mains 240V~50Hz supply into Live (L) Brown and Neutral (N) Blue terminals on the terminal block through the grommet sleeve provided.
- With the cable terminated as per below replace lid onto terminal block enclosure
- When back plate is in place, replace luminaire onto mounting base and secure in place with screws removed in stage 1.
- Turn on Power and Test Luminaire

Available finish:- Matt Black & Polished Chrome

Fig 1.

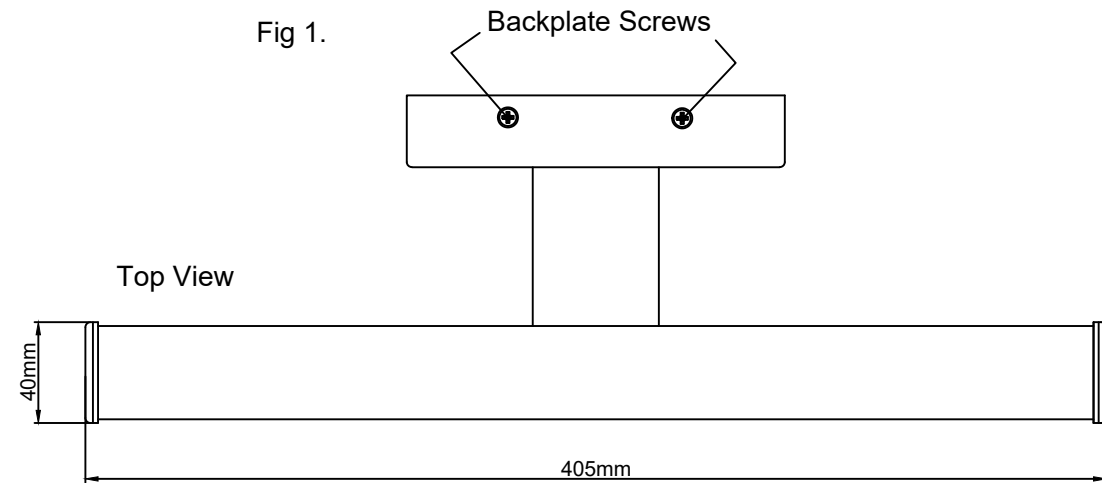
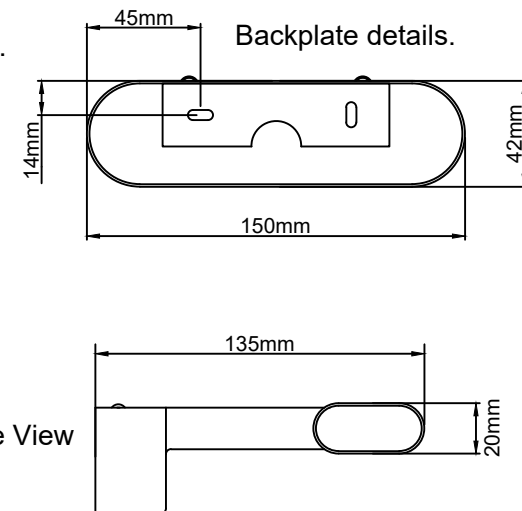


Fig 2.



Mains Supply Connections

Luminaire

Live - Brown L- Brown
Neutral - Blue N - Blue

Product	Dimensions
KSR6178	405mm(L)x135mm(D)x42mm(H)

KSR Lighting Aftersales: 023 92 674343
E-mail: aftersales@ksrlighting.com



Lamp Details

KSR6178 - 8W LED Module, 610 Lumens
4000K, 110 Deg Beam Angle

*This product contains a light source of energy efficiency class G
The LED light source and Control Gear in this product is Non-replaceable.*