



# Ravello Dual CCT LED Wall

*Exterior Wall Lighting*



Data Sheet

## Product Information

The Ravello Dual CCT LED wall lights are perfect for wall washing both internal & external walls. Stand-alone Up or Down & Up and Down units or a choice of 2 shade styles to suit most installations.

Comes with a 2 year warranty for your peace of mind.

## Product Features

- 2 year warranty
- Class I
- IP65
- Dual CCT 3000K & 4000K
- CRI>Ra90
- Up or Down & Up & Down Versions
- 2 Shade designs to choose from
- Cone or Sleek Shade
- L70 - 30,000 hours
- Non dimmable Integrated driver



[www.ksrlighting.com](http://www.ksrlighting.com)

KSR71100-71106-DS-IS-B-26.10.2023

# Product Specification

Product Code	Product Description	Wattage (W)	CCT (K)	Lumens (lm)	CRI (Ra)	Energy Efficiency Class	Protection Class
KSR71100	Ravello Dual CCT 7.5W Anthracite LED Wall Light	7.5	3000	650	91	F	I
		7.5	4000	730	90	F	I
KSR71101	Ravello Dual CCT 2x 5W Anthracite LED Up and Down Wall Light	10.5	3000	760	92	F	I
		10.5	4000	850	92	F	I
KSR71102	Ravello I Sleek Shade Anthracite						
KSR71103	Ravello II Cone Shade Anthracite						
KSR71104	Ravello I Sleek Shade White						
KSR71105	Ravello I Sleek Shade Rusty Brown						
KSR71106	Ravello I Sleek Shade Solid Brass						

Nominal voltage	220~240VAC
Operating frequency	50-60Hz
PFC	0.87
Ambient temperature range	0°C~+40°C
Start time	< 0.5 sec
IP rating	65

## Construction

Body:	Cast Aluminium
Lens:	Glass
Shades:	Cast Aluminium

## Standards

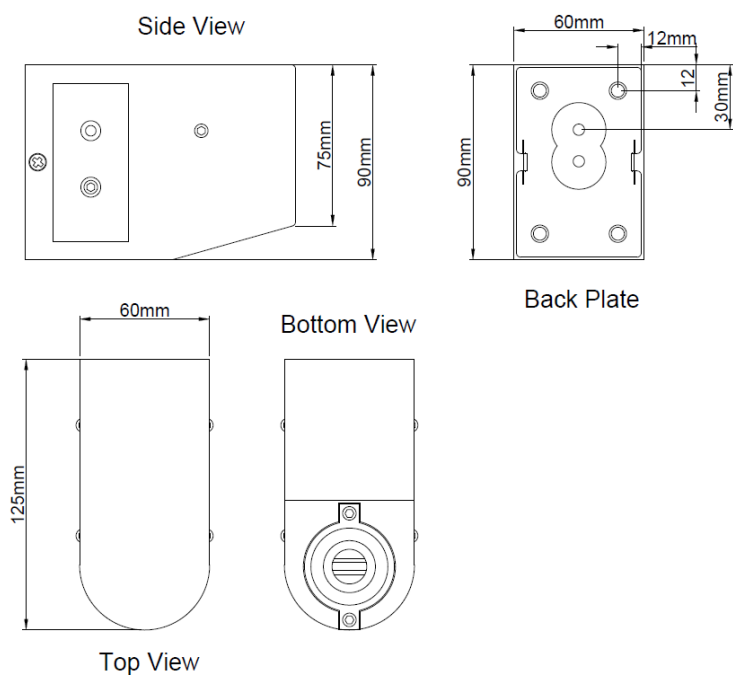
BSEN60598-1:2021    Luminaires – Part 1: General requirements and tests

## In Conformity with

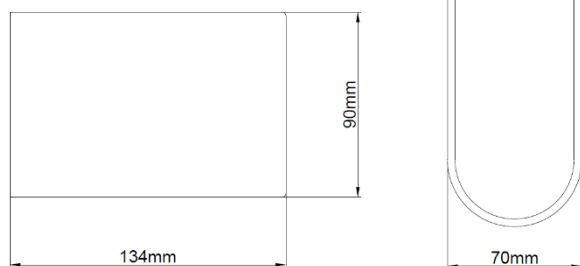
LVD	Low voltage directive 2014/35/EU
EMC	Electromagnetic compatibility directive 2014/30/EU
ERP	Energy related products directive 2019/2020/EU
RoHS	Restriction of hazardous substances 2015/863/EU

# Product Dimensions

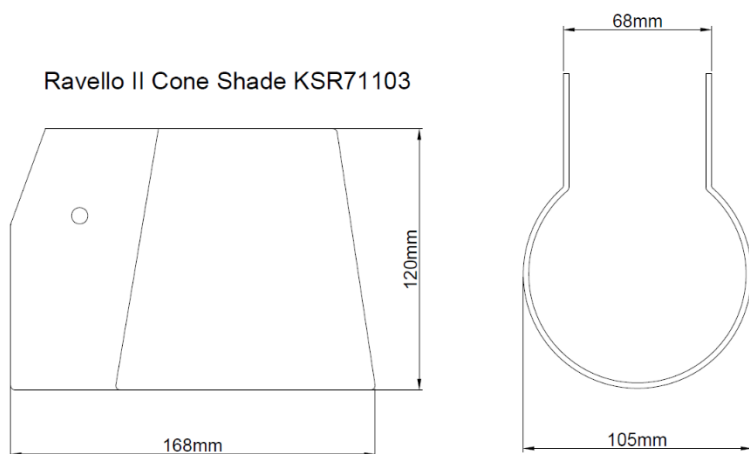
## KSR71100 - Ravello Dual CCT LED Wall Light



## Ravello I Sleek Shade KSR71102 & KSR71104 - 71106



## Ravello II Cone Shade KSR71103



KSR Lighting is constantly developing and improving its products. For this reason, all product descriptions in this data sheet are intended as a general guide, and KSR may change specifications from time to time in the interest of product development, without prior notification or public announcement. All descriptions in

this data sheet present only general particulars of the goods to which they refer and shall not form part of any contract. Data in this guide has been obtained in controlled experimental conditions. However, KSR Lighting cannot accept any liability arising from the reliance on such data to the extent permitted.