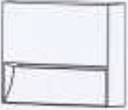





Couper l'alimentation principale avant installation Always turn off main power before installation

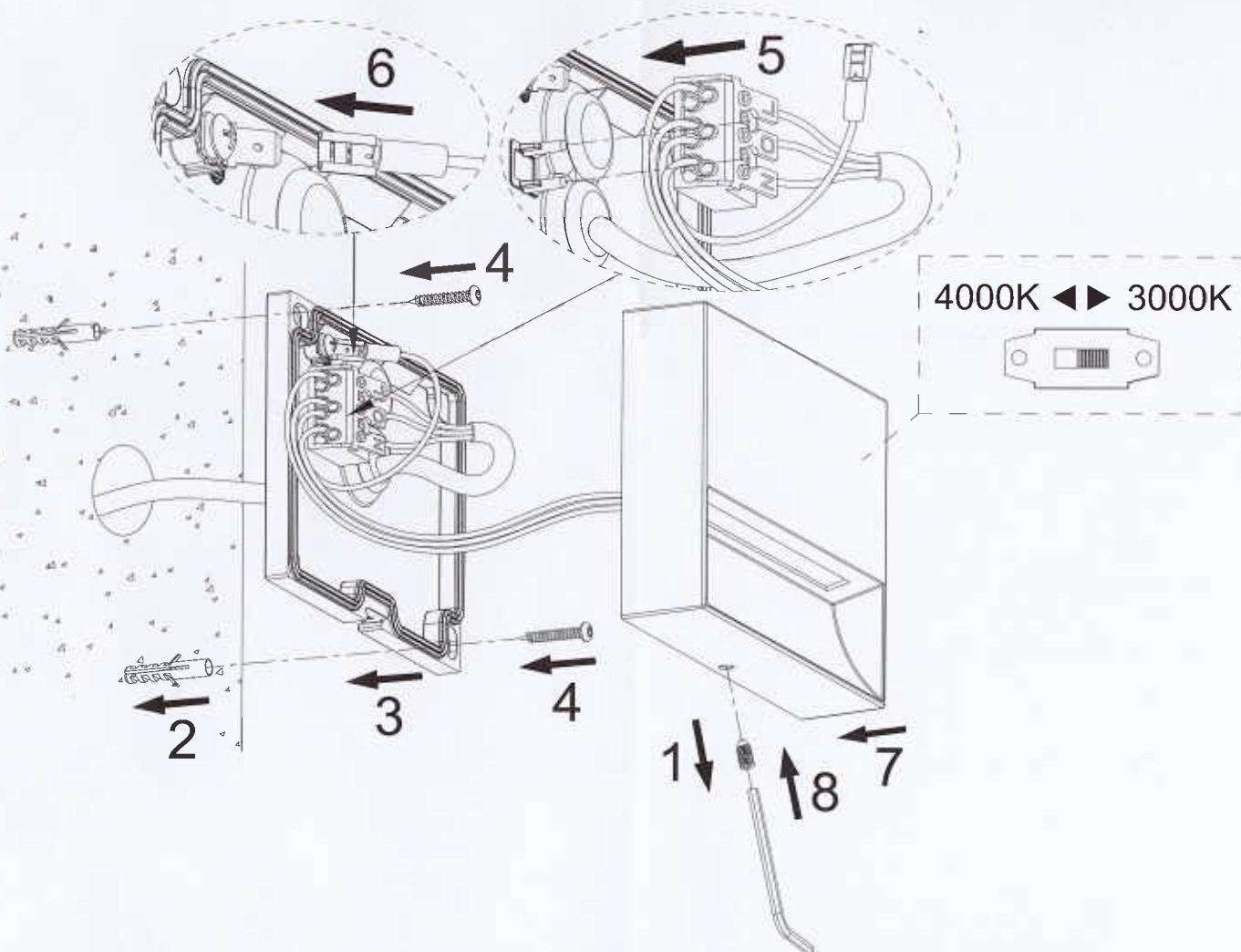
	Art.No	BULB/SOURCE	IP
	KSR71110	3.2W LED	65

*This product contains a light source of energy efficiency class E
The LED light source and Control Gear in this product can be replaced by a professional*

	L =	Brun • Brown Braun • Brun Brun • Marro Marronen • Ruskea
	N =	Blå • Blue Blau • Bleu Blauw • Azul Blu • Sininen
	⏚ =	Grön/Gul • Green/Yellow Grün/Gelb • Vert/Jaune Groen/Geel • Verde/Amarillo Verde/Giallo • Vihreä/Keltainen

KSR

LIGHTING



Installation får endast utföras av behörig elinstallatör.
Installation should be carried out by your local electrician.
Die Installation durch einen Fachmann vornehmen lassen.
L'installation doit être effectuée par un installateur qualifié.
We raden aan om de installatie door een erkend vakman te laten doen.
Debe ser instalado por un electricista cualificado.
L'installazione deve essere effettuata da un elettricista qualificato.
Asennuksen saa tehdä vain pätevä sähköasentaja.

CE UK
CA

KSR Lighting Aftersales: 023 92 674343

E-mail: aftersales@ksrlighting.com

KSR Lighting Optimum House, Beeding Close, Southern Cross Trading Estate, Bognor Regis, West Sussex. PO22 9TS