



Available finish: White Only

Read these instructions before commencing installation. Please give these instructions to the owner/occupier after installation to retain for future reference/maintenance.

IP20 0.3m 240V~50Hz 20W-60W

These fittings are Class I and must be Earthed

Important Information

It is recommended that these luminaires are installed and fitted by a qualified electrician ensuring the installation complies with current IEE wiring regulations & local building control. These products are designed for connection to a 240V~50Hz supply. Any faulty, broken or damaged luminaires should be replaced immediately. KSR will not accept responsibility for any claims arising from a poor installation. Please Note: The limited warranty shall be deemed null and void in the following circumstances: Failure by the installer, end user or any third party to exercise caution to protect any covered product or part from outside damage, adverse temperature (normal operating ambient temperature 0 ~ 35°C), humidity conditions, fluctuations in the electrical system or physical abuse as well as failure related to workmanship in the installation of the products or parts.

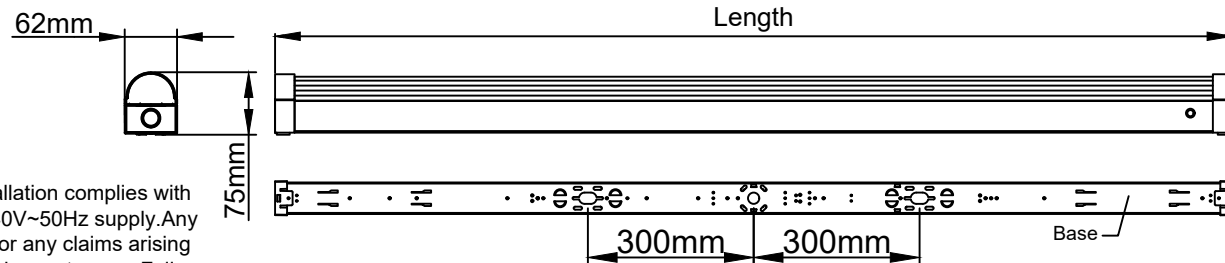
Important User Advice

Always switch off mains supply before installing/servicing. This luminaire is suitable for indoor use only and should not be fitted to damp or wet surfaces such as freshly plastered or painted ceilings. Do not use Megger or similar high voltage instruments. Due to the fact this luminaire contains electronic components that maybe damaged by high test voltages, they must be disconnected from the circuit before testing. To prevent damage to the driver, do not mix with conventional magnetic ballasts on the same electrical circuit. At the end of life the luminaire is classed as WEEE under directive 2014/30/EU and should be disposed of in accordance with local legislation.

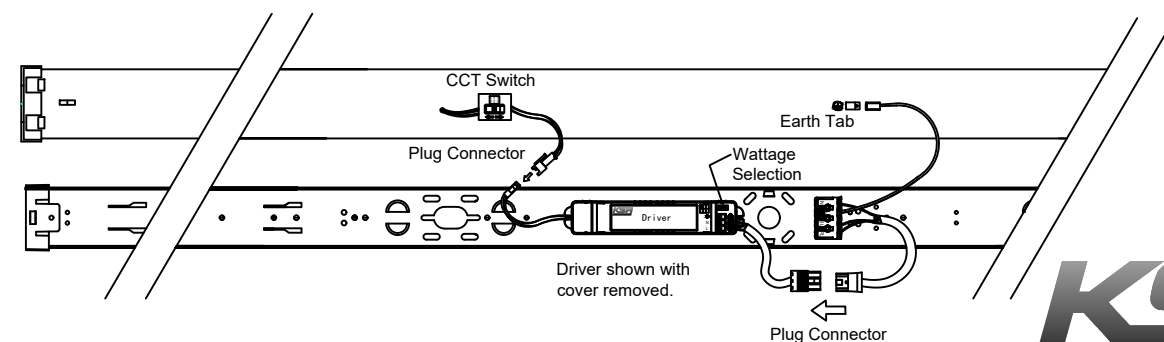
Installation Procedure

Familiarize yourself with the luminaire/installation procedure and ensure the power is safely isolated before installing the luminaire. Separate the LED Top Diffuser plate from the main body by pulling apart. The wiring and support straps are disconnected for ease of installation. Offer the main body up to the ceiling and mark the fixing points. If using surface conduit ensure the beza boxes are at 600mm centres. Drill and secure the main body in place, dressing the supply cable through either of the three rear entry points or end caps. Set the CCT & Wattage via the switch & dip switch (ONLY WITH FITTING SWITCHED OFF) Connect the plug & play connections & mains wiring as per the guide below & overleaf (Fig.1). Offer up the LED Top Diffuser and connect the two support straps in the main body to the top diffuser. Connect the LED supply cable and earth connections, then snap the Top diffuser onto the main body, ensuring it is properly located along the whole length and that no cables are trapped. Turn on the power and test the luminaire.

LEDs are an inductive load. To avoid unwanted MCB tripping it may be necessary to uprate your breakers.



Product Code	Description	Dimensions L x W x H	Wattage	Colour	Lumens
KSR98300	Navara X3-4ft	1170mm x 62mm x 75mm	20W	3000K	2365
				4000K	2530
				6000K	2485
			38W	3000K	4680
				4000K	5115
				6000K	4960
KSR98301	Navara X3-5ft	1460mm x 62mm x 75mm	32W	3000K	3685
				4000K	4045
				6000K	3960
			52W	3000K	5805
				4000K	6420
				6000K	6230
KSR98302	Navara X3-6ft	1730mm x 62mm x 75mm	40W	3000K	4915
				4000K	5315
				6000K	5250
			60W	3000K	6610
				4000K	7295
				6000K	6955



This product contains a light source of energy efficiency class E
The Control Gear in this product can be replaced by a professional.

KSR Lighting Aftersales: 023 92 674343
E-mail: aftersales@ksrlighting.com



Available finish: White Only

Read these instructions before commencing installation. Please give these instructions to the owner/occupier after installation to retain for future reference/maintenance.

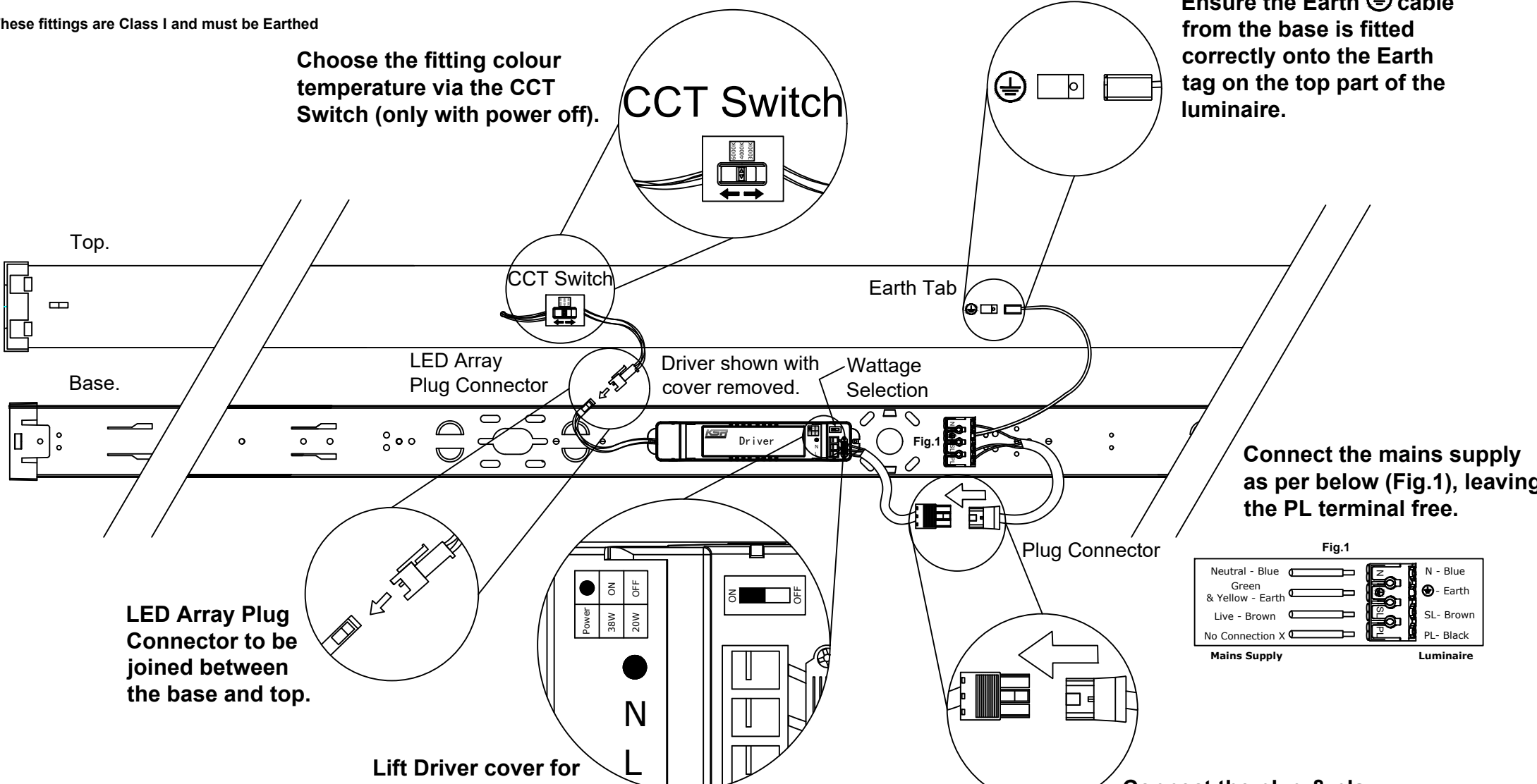
IP20 240V~50Hz 20W-60W

These fittings are Class I and must be Earthed

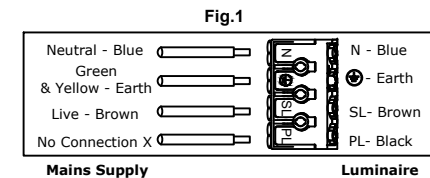
Choose the fitting colour temperature via the CCT Switch (only with power off).

CCT Switch

Ensure the Earth cable from the base is fitted correctly onto the Earth tag on the top part of the luminaire.



Connect the mains supply as per below (Fig.1), leaving the PL terminal free.



LED Array Plug Connector to be joined between the base and top.

Lift Driver cover for dip switch wattage selector and choose your desired wattage.

Connect the plug & play connection between the driver & connector block.

