



# Siena Select 3 CCT LED Wall Pack

*Exterior Bulkheads*



Data Sheet

## Product Information

The Siena Select dual wattage 3 CCT LED Wall Packs are available as a Standard Wall Pack as well as Photocell for dusk till dawn sensing, Emergency & Emergency with Photocell to cover a vast range of installation requirements. Aesthetically pleasing slim design.

## Product Features

- 5-year warranty
- IP65/IK10
- Class I
- Slim Design
- 18W or 30W Dual Wattage
- 3CCT Colour Selectable LED
- Switch between 3000K, 4000K & 6000K
- CRI: Ra>83
- 2x Side, Rear and Top/Right cable entry
- L70-30,000hrs

# Product Specification

Product Code	Product Description	Wattage (W)	CCT (K)	Lumens (lm)	CRI (Ra)	Protection Class
KSR1190	Siena Select 3CCT 18W/30W LED Wall Pack	18W	3000K	1500	83	I
KSR1191	Siena Select 3CCT 18W/30W LED Emergency Wall Pack*	18W	4000K	1605	87	I
KSR1192	Siena Select 3CCT 18W/30W LED Wall Pack with Photocell	18W	6000K	1515	84	I
KSR1193	Siena Select 3CCT 18W/30W LED Emergency Wall Pack with Photocell*	30W	3000K	2475	83	I
		30W	4000K	2710	87	I
		30W	6000K	2475	84	I
*Emergency Mode		N/A	4000K	280		I

Nominal voltage	220~240VAC
Operating frequency	50/60Hz
Circuit Wattage	18W & 30W including driver losses
Circuit Current	0.075A & 0.13A
Driver mA Rating	220mA
PFC	0.9
In Rush Current	3.16A Max Peak
Ambient temperature range	0°C to +35°C
IP rating	65

## Construction

Body: Polycarbonate  
 Lens: Polycarbonate

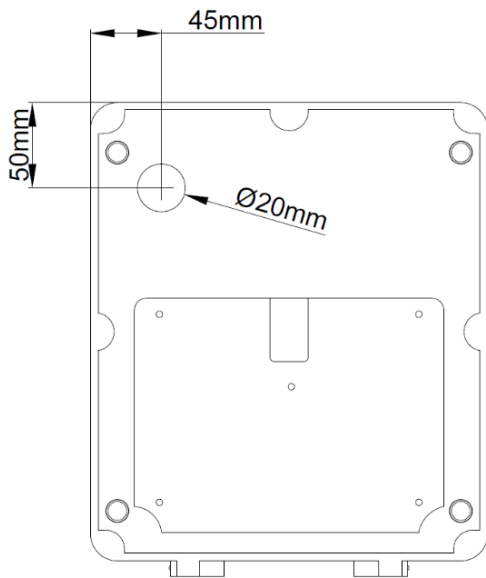
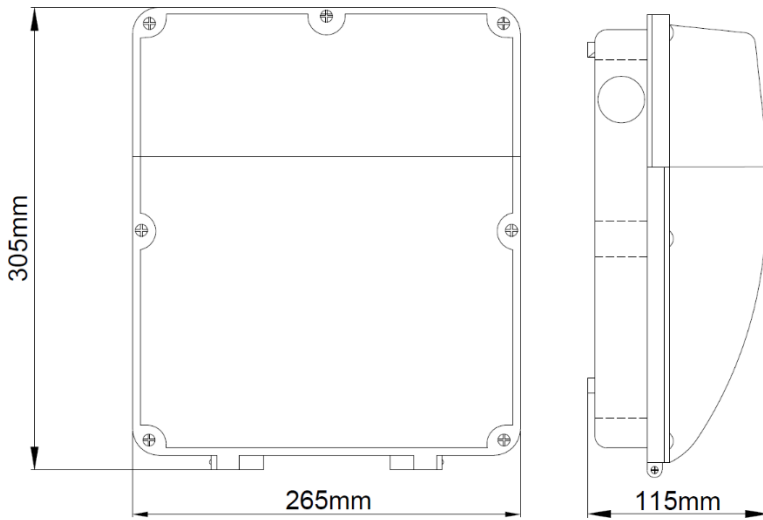
## Standards

BSEN60598-1:2021                      Luminaires – Part 1: General requirements and tests  
 BSEN60598-2-22:2014+A1 2020      Luminaires – Part 2: lighting for Emergency

## In Conformity with

LVD                      Low voltage directive 2014/35/EU  
 EMC                     Electromagnetic compatibility directive 2014/30/EU  
 ERP                     Energy related products directive 2019/2020/EU  
 RoHS                    Restriction of hazardous substances 2015/863/EU

# Product Dimensions



KSR Lighting is constantly developing and improving its products. For this reason, all product descriptions in this data sheet are intended as a general guide, and KSR may change specifications from time to time in the interest of product development, without prior notification or public announcement. All descriptions in this data sheet present only general particulars of the goods to which they refer and shall not form part of any contract. Data in this guide has been obtained in controlled experimental conditions. However, KSR Lighting cannot accept any liability arising from the reliance on such data to the extent permitted.