



Available finish: Black

Read these instructions before commencing installation. Please give these instructions to the owner/occupier after installation to retain for future reference/maintenance.

IP65 240V~50Hz IK10 18W/30W

These fittings are Class I and must be Earthed

Important Information

It is recommended that these luminaires are installed and fitted by a qualified electrician ensuring the installation complies with current IEE wiring regulations & local building control. These products are designed for connection to a 240V~50Hz supply. Any faulty, broken or damaged luminaires should be replaced immediately. KSR will not accept responsibility for any claims arising from a poor installation.

Please Note: The limited warranty shall be deemed null and void in the following circumstances: Failure by the installer, end user or any third party to exercise caution to protect any covered product or part from outside damage, adverse temperature, humidity conditions, fluctuations in the electrical system or physical abuse as well as failure related to workmanship in the installation of the products or parts.

Important User Advice

Always switch off mains supply before installing/servicing. Do not use Megger or similar high voltage instruments. Due to the fact this product contains electronic components that may be damaged by high test voltages, they must be disconnected from the circuit before testing. To prevent damage to the driver, do not mix with conventional magnetic ballasts on the same electrical circuit. KSR recommends a maintenance schedule of washing down with soapy water (no abrasive cleaners) and greasing all screws every 3 months. At the end of life the luminaire is classed as WEEE under directive 2014/30/EU and should be disposed of in accordance with local legislation

Installation Procedure

KSR recommend that you familiarize yourself with the connections & safely isolate the mains supply. Remove the 7 screws that hold the front to the back, retaining the screws. Open the luminaire, secure the luminaire using suitable fixings into holes 'A' for the substrate. Using a suitable cable pass the supply cable through the cable gland (ensuring a good water tight seal is formed around the cable) and terminate the supply cable into the terminal block - Black to permanent Live (PL), Brown to Switch Live (SL), Blue to Neutral (N) and Green/yellow to Earth . **Please note:** For testing purposes a provision should be made in the circuit for disconnection of the unswitched live (i.e. key switch). Set the desired colour temp (CCT) via the switch on the LED Driver, and the wattage via the dip switch under the driver terminal cover (Set at 30W as standard) Re-fit the front using the retained screws, ensuring the seal is in place and clean. Turn on mains supply and test.

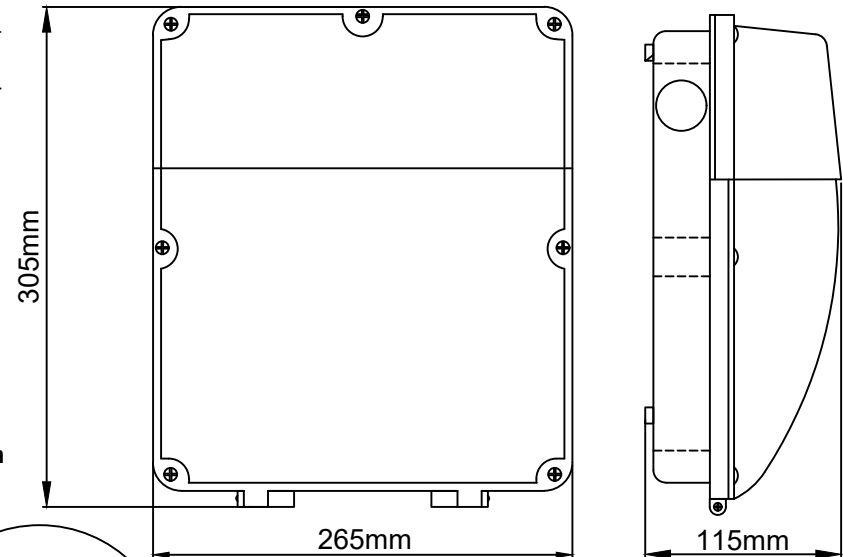
The KSR1193 also has a dusk to dawn photocell this will turn the luminaire on at dusk and switch off at dawn. The fitted dusk to dawn photocell will turn the luminaire on approximately 20-10 lux and switches off at approximately 30-80 lux. It will not detect movement but will continually illuminate the area. Never install the photocell facing any other artificial or reflected light as this will cause the luminaire to cycle on and off. Turn on the power and test the luminaire, please note this product is fitted with a Photocell and is not suitable for use with another unit or photocell sensor as this will damage the sensor/product.

This fitting requires a 24 Hour initial charge period prior to any emergency testing, please see overleaf for testing routine, write on the battery label in permanent ink the date of commissioning. All results must be recorded and left with the end user. The battery has a design life of at least 4 years but should be replaced if the duration of operation is less than 3 hours after a 24hr charge time with no interrupted supply.

Power	Colour Temperature / CRI / Lumen Output		
	3000K - CRI 83	4000K - CRI 87	6000K - CRI 84
18W	1500lm	1605lm	1515lm
30W	2475lm	2710lm	2475lm
Emergency	N/A	283lm	N/A



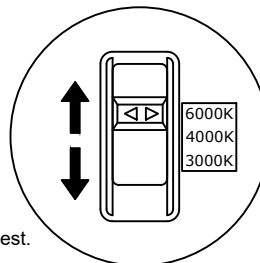
*This product contains a light source of energy efficiency class F
The LED light source and Control Gear in this product can be replaced by a professional.*



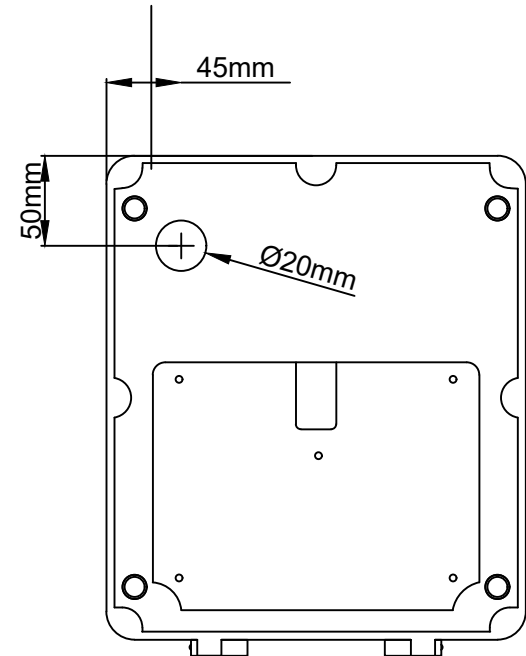
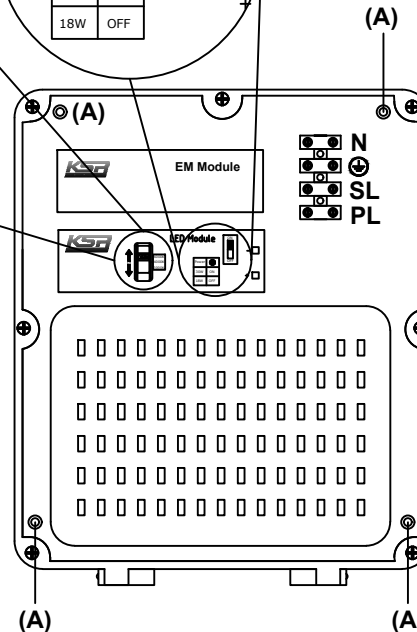
Wattage Dip Switch under driver cover (30W as standard).

CCT Switch

Module



Power	●	ON	OFF
30W	●	ON	OFF
18W	○	OFF	ON





All tests must be undertaken at times of least risk and in accordance with EN 50172:2004 as indicated below:

Daily:

LED charge indicators shall be visually inspected for correct operation.

Monthly:

(in addition to the daily check) If automatic testing devices are used, the results of the short duration tests shall be recorded.

Test shall be carried out as follows:

1. Switch the luminaire over to emergency mode to operate from the batteries by simulating a failure of supply to the emergency circuit for a period sufficient to ensure correct luminaire operation.

Note: The period of simulation failure should be sufficient for the purpose of this clause whilst minimising damage to the system components e.g lamps. During this period, all luminaires shall be checked to ensure that they are present, clean and functioning correctly. At the end of this test period, the unswitched supply should be restored and any indicator lamp or device should be checked to ensure that it is showing that the supply has been restored.

Annually:

If automatic testing devices are used, the results of the short duration tests shall be recorded. For all other systems the monthly inspection shall be carried out and the following additional tests made:

1. Each luminaire shall be tested monthly as above but for its full duration in accordance with the manufacturer's information.
2. The unswitched supply for the luminaire should be restored and any charge indicator lamp or device should be checked to ensure that it shows the unswitched supply has been restored. The charging arrangements should be checked for proper functioning.
3. The date of the test and its results shall be recorded in the system logbook.

A copy of this report must accompany any emergency luminaire returned to KSR Lighting for any reason.



Emergency Lighting Periodic Test Schedule

All emergency lighting should be installed and tested in accordance to EN5266-1:2011. This test schedule should remain onsite and be accessible to the relevant authorities on request.



Em No.	Luminaire Location	Luminaire Type	Start Time	Duration (Mins)	*Pass/Fail	Comments/Actions

Site Address: _____

Test Conducted By: _____

Date of Test Completion: _____

Comments/Actions

x √=Pass, X=Fail, N/T=Not Tested, N/A=No Access, U/T=Uncomplete Test