

Siena FL Select 3CCT IP65 Floodlight Range

LED Floodlights



Data Sheet

Product Information

The Siena FL Select 3CCT LED floodlight range is available in 3 sizes covering the following selectable wattages - 10W/20W, 20W/30W & 20W/30W/50W, these can also be switched between 3000K, 4000K & 6000K colour temps.

In an **industry first**, there is also a Siena FL Select PIR Accessory complete with a dusk to dawn mode which has plug & play connections for ease of installation, this is suitable for all versions in the Siena FL Select range.

For additional peace of mind, the range has also undergone a 72 Hour Corrosion Resistance test (Neutral Salt Spray test).



Product Features

- 5-year warranty
- Multi Wattage
- 3000K, 4000K & 6000K Selectable
- Non-Dimmable
- c/w 1M Mains cable (2M on PIR accessory)
- IP65
- IK08
- CRI: Ra>80
- Instant on
- **Industry First** - PIR Accessory c/w Dusk to Dawn Mode available (KSR5333)
- Lighting designers can download photometric data from our website
- L70 – 36,000hrs

Product Specification

Product Code	Product Description	Wattage (W)	CCT (K)	Lumens (lm)	CRI (Ra)
KSR5330	Siena FL Select 10W/20W 3CCT IP65 LED Floodlight Black	10	3000	1195	82
			4000	1260	84
			6000	1215	81
		20	3000	1945	81
			4000	2190	84
			6000	2045	81
KSR5331	Siena FL Select 20W/30W 3CCT IP65 LED Floodlight Black	20	3000	2170	82
			4000	2275	85
			6000	2165	81
		30	3000	2790	81
			4000	3105	84
			6000	2870	81
KSR5332	Siena FL Select 20W/30W/50W 3CCT IP65 LED Floodlight Black	20	3000	2320	82
			4000	2370	85
			6000	2280	81
		30	3000	3145	82
			4000	3320	84
			6000	3160	81
		50	3000	4645	81
			4000	4890	84
			6000	4685	81
KSR5333	Siena FL Select IP65 PIR Accessory c/w Dusk to Dawn Mode – PIR Specification Angle of coverage: 270° with 130° angle of aperture Time setting: 10sec – 15 minutes Lux setting: 0-1000 Lux Reach: max.6m Mounting height: 3m				

Nominal voltage	180-265V
Operating frequency	50-60Hz
Ambient temperature range	0°C~+40°C
Start time	< 0.5 sec
Protection Class	I
CRI	Ra>80
IP rating	IP65

Construction

Body: Cast Aluminium
Diffuser: Glass

Standards

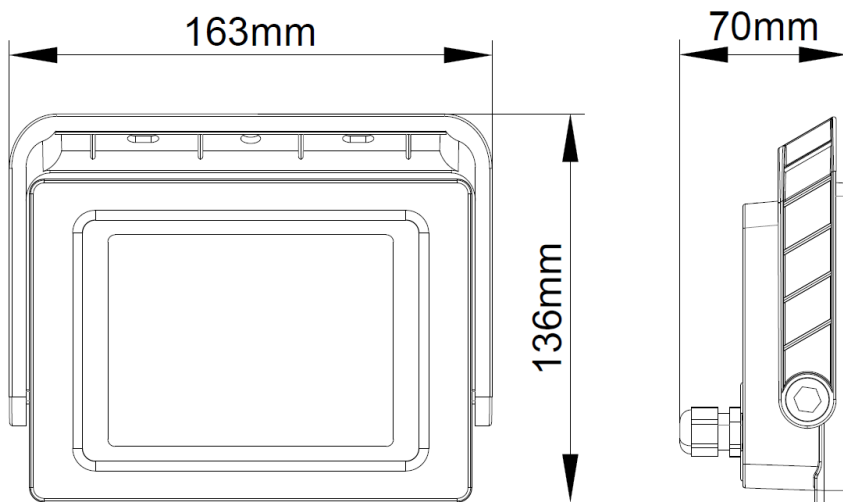
www.ksrlighting.com

In Conformity with

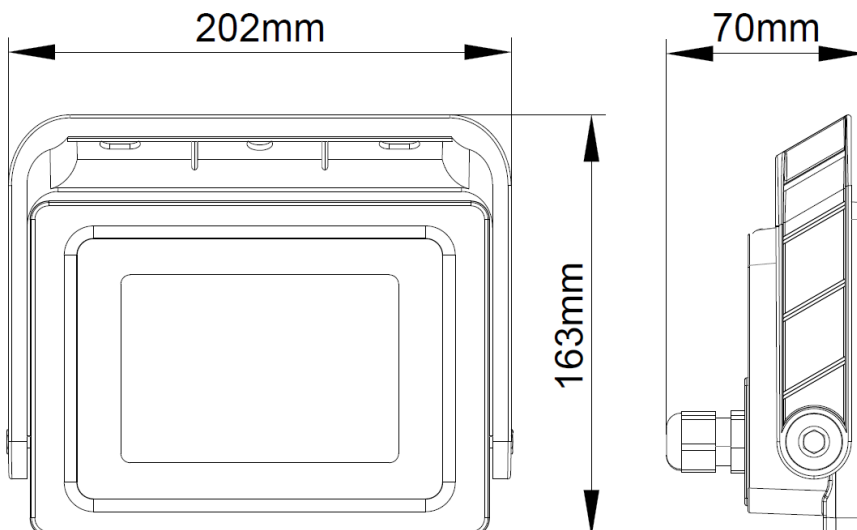
LVD	Low voltage directive 2014/35/EU
EMC	Electromagnetic compatibility directive 2014/30/EU
ERP	Energy related products directive 2019/2020/EU
RoHS	Restriction of hazardous substances 2015/863/EU

Product Dimensions

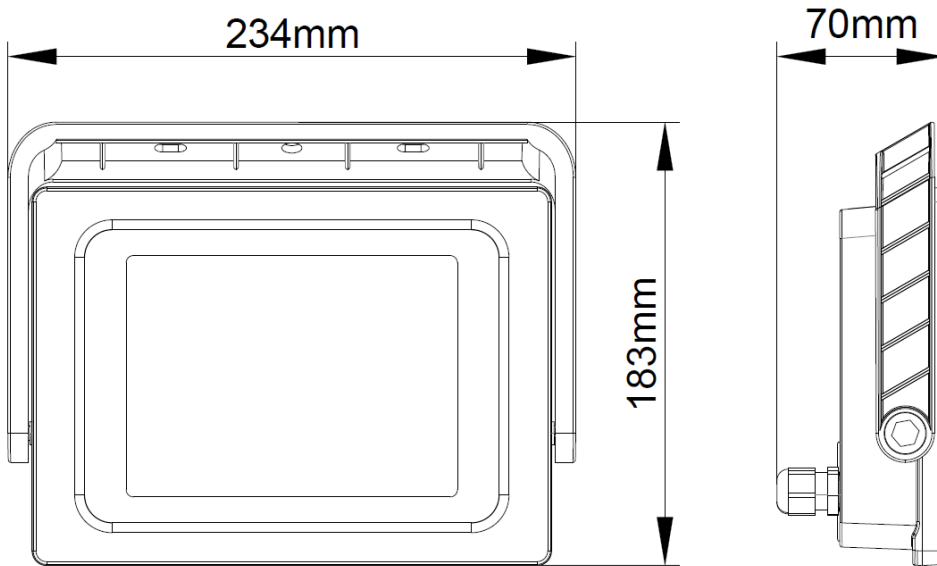
KSR5330 - 3CCT - 10W or 20W



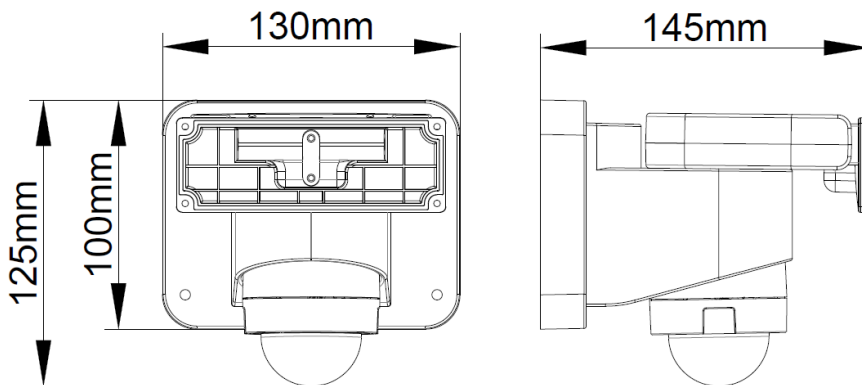
KSR5331 - 3CCT - 20W or 30W



KSR5332 - 3CCT - 20W, 30W or 50W



KSR5333 PIR with Dusk to Dawn Mode



KSR Lighting is constantly developing and improving its products. For this reason, all product descriptions in this data sheet are intended as a general guide, and KSR may change specifications from time to time in the interest of product development, without prior notification or public announcement. All descriptions in this data sheet present only general particulars of the goods to which they refer and shall not form part of any contract. Data in this guide has been obtained in controlled experimental conditions. However, KSR Lighting cannot accept any liability arising from the reliance on such data to the extent permitted.