

Luso II Range

Exterior Wall & Spike Lighting



Data Sheet

Product Information

The Luso II External Range is perfect for lighting external walls and gardens etc, with 6 versions to choose from: a Single head, Adjustable head, Up or Down version with optional PIR, Double Up & Down versions with optional PIR & Spike version. With 3 finishes available as well as 316L Stainless Steel options the range is suitable for a magnitude of applications.

Product Features

- 1 year warranty
- Class I
- IP44 (Spike versions IP65)
- GU10 35W max.
- Available in 6 versions, Single, Adjustable Single, Up or Down, Up & Down, PIR & Spike
- Available in Black, Copper, 304 Stainless or 316L Stainless Steel
- Suitable for retro fit GU10 LED lamps
- Not suitable for High Saline Areas – Except the 316L Stainless Steel Versions
- Products supplied less lamp(s)
- 304 Stainless Steel

KSR13108



KSR13112



Product Specification

Product Code	Product Description	Max Watt	Lamp Cap	Energy Efficiency Class	Protection Class
KSR13100	Luso II GU10 Single Wall Light Black	35W	GU10	Lamp Dependant	I
KSR13101	Luso II GU10 Single Wall Light Copper	35W	2 x GU10	Lamp Dependant	I
KSR13102	Luso II GU10 Single Wall Light 304 Stainless Steel	35W	GU10	Lamp Dependant	I
KSR13103	Luso II GU10 Up & Down Wall Light Black	2 x 35W	2 x GU10	Lamp Dependant	I
KSR13104	Luso II GU10 Up & Down Wall Light Copper	2 x 35W	2 x GU10	Lamp Dependant	I
KSR13105	Luso II GU10 Up & Down Wall Light 304 Stainless Steel	2 x 35W	2 x GU10	Lamp Dependant	I
KSR13106	Luso II GU10 Adjustable Wall Light Black	35W	GU10	Lamp Dependant	I
KSR13107	Luso II GU10 Adjustable Wall Light Copper	35W	GU10	Lamp Dependant	I
KSR13108	Luso II GU10 Adjustable Wall Light 304 Stainless Steel	35W	GU10	Lamp Dependant	I
KSR13109*	Luso II GU10 Single Spike Light Black	35W	GU10	Lamp Dependant	I
KSR13110*	Luso II GU10 Single Spike Light Copper	35W	GU10	Lamp Dependant	I
KSR13111*	Luso II GU10 Single Spike Light 304 Stainless Steel	35W	GU10	Lamp Dependant	I
KSR13112	Luso II GU10 Single PIR Wall Light Black	35W	GU10	Lamp Dependant	I
KSR13113	Luso II GU10 Single PIR Wall Light Copper	35W	GU10	Lamp Dependant	I
KSR13114	Luso II GU10 Single PIR Wall Light 304 Stainless Steel	35W	GU10	Lamp Dependant	I
KSR13115	Luso II GU10 Up & Down PIR Wall Light Black	2 x 35W	2 x GU10	Lamp Dependant	I
KSR13116	Luso II GU10 Up & Down PIR Wall Light Copper	2 x 35W	2 x GU10	Lamp Dependant	I
KSR13117	Luso II GU10 Up & Down PIR Wall Light 304 Stainless Steel	2 x 35W	2 x GU10	Lamp Dependant	I
KSR13120	Luso II GU10 Single Wall Light 316L Stainless Steel	35W	GU10	Lamp Dependant	I
KSR13121	Luso II GU10 Up & Down Wall Light 316L Stainless Steel	2 x 35W	2 x GU10	Lamp Dependant	I
KSR13122*	Luso II GU10 Single Spike Light 316L Stainless Steel	35W	GU10	Lamp Dependant	I

Nominal voltage	220~240VAC
Operating frequency	50-60Hz
Circuit Wattage	Lamp dependent
IP rating	IP44 (*IP65)

Construction

Body: 304 Stainless Steel (KSR13100-13117) & 316L Stainless Steel (KSR13120-13122)
 Lens: Clear Glass

Standards

BSEN60598-1:2021 Luminaires – Part 1: General requirements and tests

In Conformity with

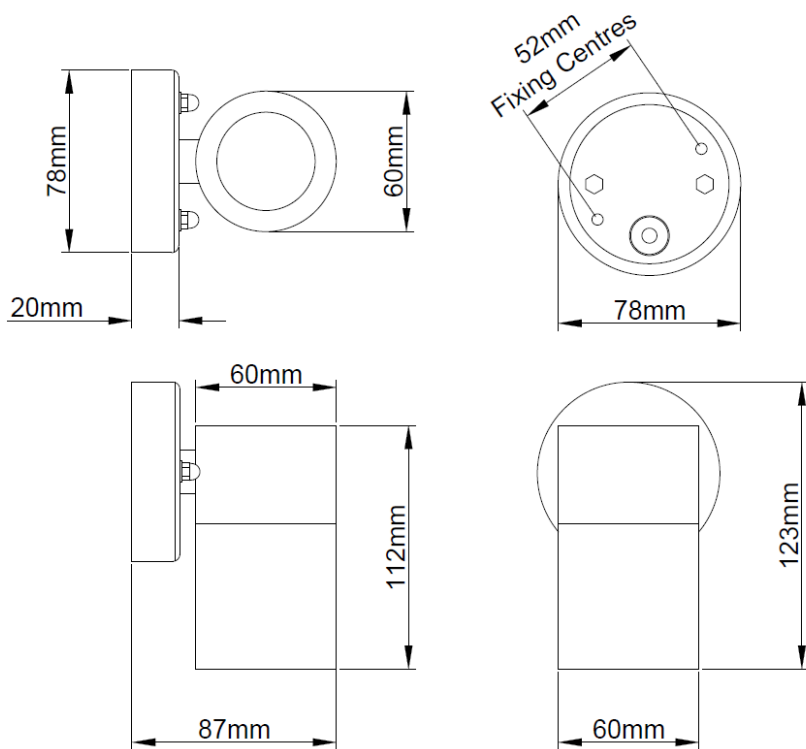
RoHS Restriction of hazardous substances 2015/863/EU

www.ksrlighting.com

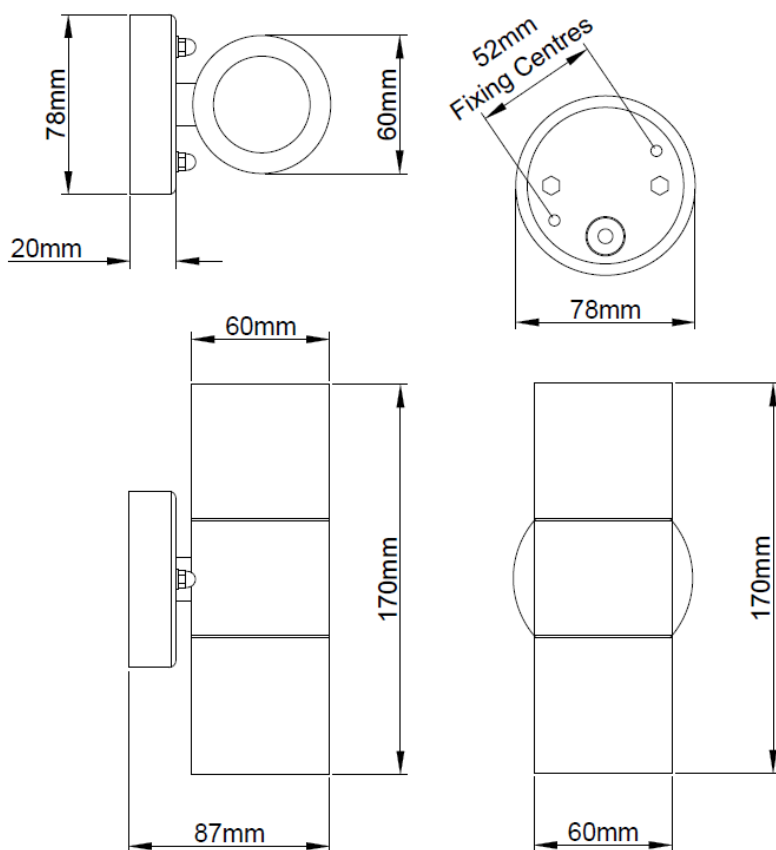
KSR13100-13117 & KSR13120-13122-DS-D– 30th October 2023

Product Dimensions

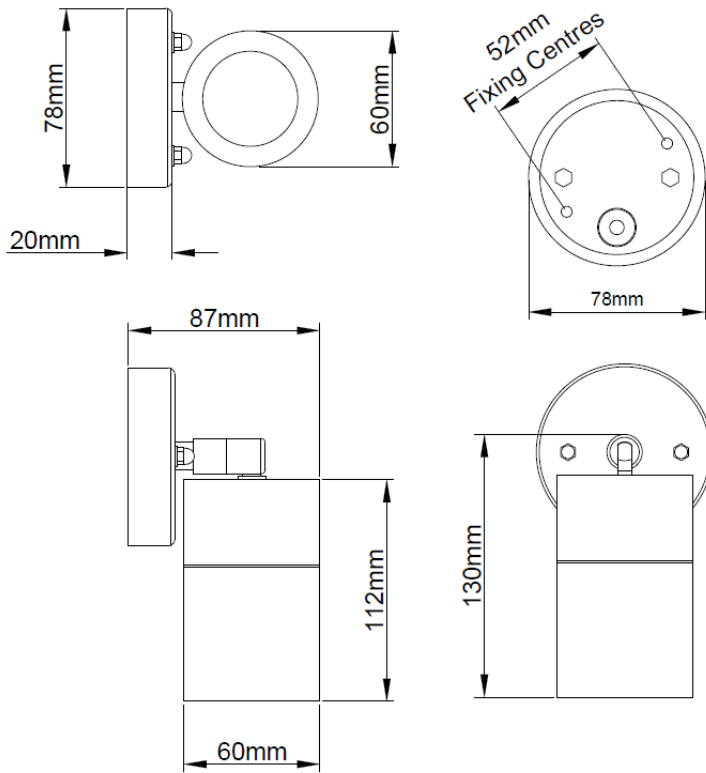
KSR13100-13102 & KSR13120



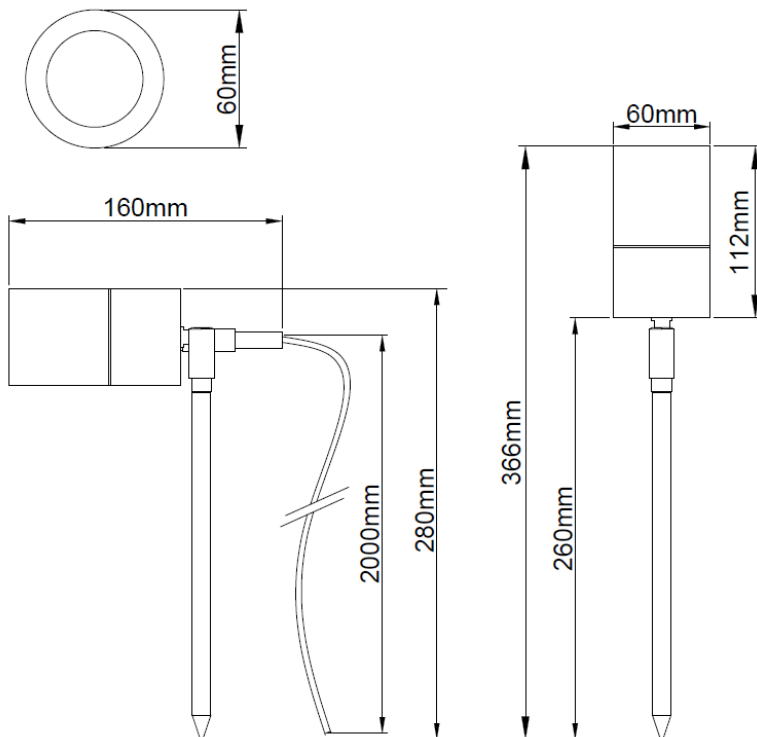
KSR13103-13105 & KSR13121



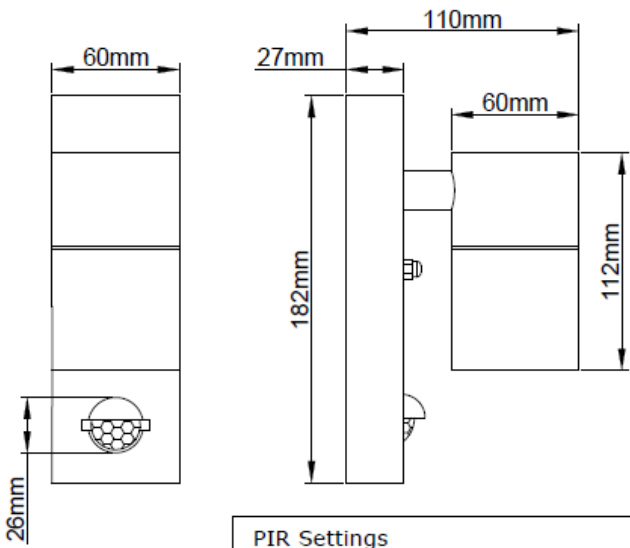
KSR13106-13108



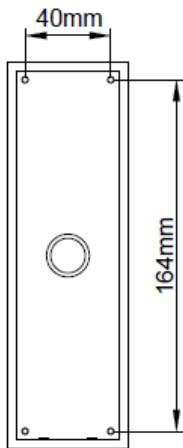
KSR13109-13111 & KSR13122



KSR13112-13114

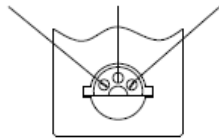


PIR Settings
 Switch Time - 12 Sec to 4 Minutes
 Range - 9M when mounted at 4M
 Viewing Angle - 110°
 Minimum On Lux - 9 Lux

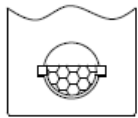


Base Section
This Way Up

Time Adjust Sensitivity Lux Level

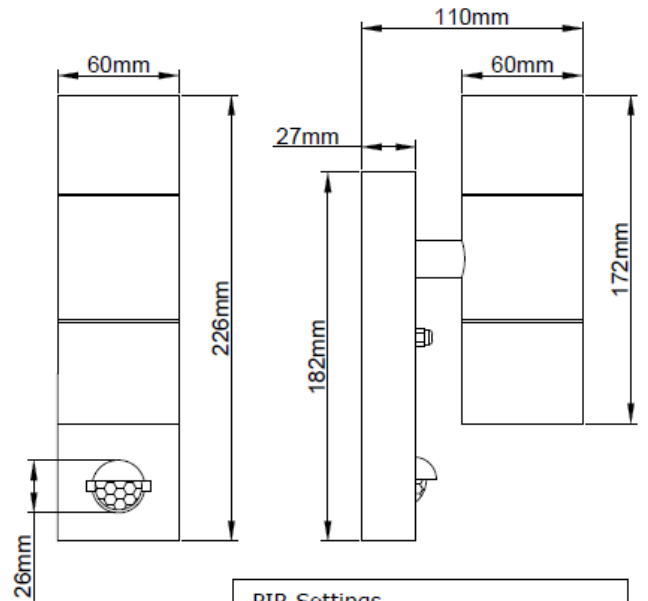


PIR Set Up
Hood Down

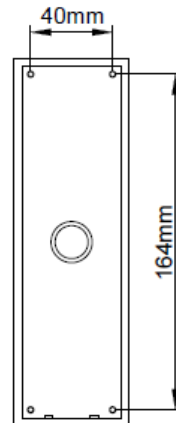


Ready for Use
Hood Up

KSR13115-13117

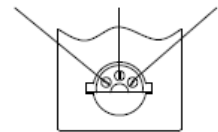


PIR Settings
 Switch Time - 12 Sec to 4 Minutes
 Range - 9M when mounted at 4M
 Viewing Angle - 110°
 Minimum On Lux - 9 Lux

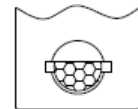


Base Section
This Way Up

Time Adjust Sensitivity Lux Level



PIR Set Up
Hood Down



Ready for Use
Hood Up

KSR Lighting is constantly developing and improving its products. For this reason, all product descriptions in this data sheet are intended as a general guide, and KSR may change specifications from time to time in the interest of product development, without prior notification or public announcement. All descriptions in this data sheet present only general particulars of the goods to which they refer and shall not form part of any contract. Data in this guide has been obtained in controlled experimental conditions. However, KSR Lighting cannot accept any liability arising from the reliance on such data to the extent permitted.