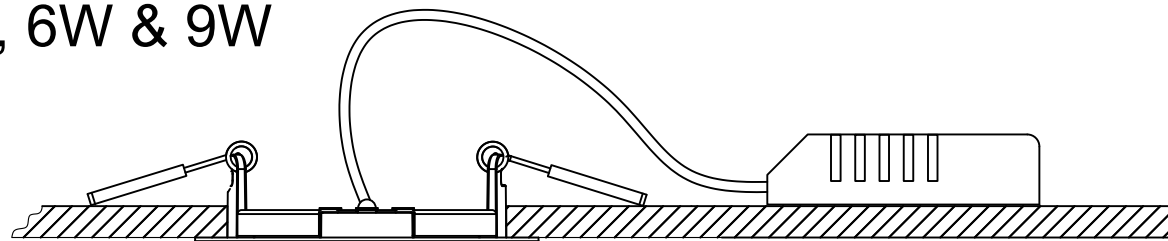




Read these instructions before commencing installation. Please give these instructions to the owner/occupier after installation to retain for future reference/maintenance.

Available Rim Finishes: White Only

IP44 240VAC~50Hz 3W, 6W & 9W



These fittings are Class II and do not require to be Earthed

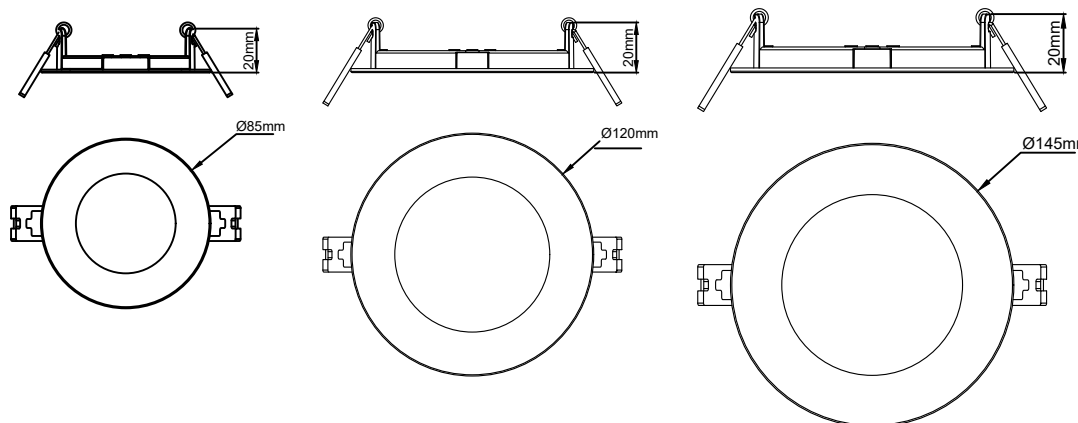
## Important Information

It is recommended that these luminaires are installed and fitted by a qualified electrician ensuring the installation complies with current IEE wiring regulations & local building control. These products are designed for connection to a 240V~50Hz supply.

Any faulty, broken or damaged luminaires should be replaced immediately.

KSR will not accept responsibility for any claims arising from a poor installation.

Please Note: The limited warranty shall be deemed null and void in the following circumstances: Failure by the installer, end user or any third party to exercise caution to protect any covered product or part from outside damage, adverse temperature (normal operating ambient temperature 0 ~ +40°C), humidity conditions, fluctuations in the electrical system or physical abuse as well as failure related to workmanship in the installation of the products or parts.



## Important User Advice

Always switch off mains supply before installing or servicing.

This luminaire is suitable for indoor use only and should not be fitted to damp or wet surfaces such as freshly plastered or painted ceilings.

Do not use Megger or similar high voltage instruments. Due to the fact this luminaire contains electronic components that maybe damaged by high test voltages, they must be disconnected from the circuit before testing. To prevent damage to the driver, do not mix with conventional magnetic ballasts on the same electrical circuit. At the end of life the luminaire is classed as WEEE under directive 2014/30/EU and should be disposed of in accordance with local legislation.

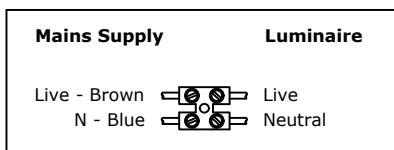
## Installation Procedure

KSR recommends that a sample hole is cut in some scrap material to familiarise yourself with the installation. Once you are completely satisfied: Locate the area's suitable to install these luminaires. Cut a round hole following the guide below and ensure there is sufficient ceiling void without infringing on joists, water pipes or electrical cables.

Connect your mains supply to the LED driver, (L) Live - Brown & (N) Neutral - Blue. These fittings are Class II and do not require an earth connection. Place the LED driver into the ceiling void, push back the two spring clips and offer the luminaire in to the cutout, carefully release the springs and allow them to pull the fitting into place. Ensure there is adequate free air ventilation around the driver and head unit. Turn on the mains supply to test the luminaire.

**\*Please note: Depending on the amount of LED fittings on a circuit you may have to upgrade the breaker to a 'C' or 'D' type due to the way electronic LED drivers start up with higher inrush currents compared to halogen lighting.**

	ØRim Size	ØCut out	Void Depth Req'd	LED Wattage/ Colour/Lumens
KSR97190	85mm	70mm	40mm	3W - 3000K (160 lumens)
				- 4000K (188 lumens)
				- 6000K (184 lumens)
KSR97191	120mm	105mm	40mm	6W - 3000K (342 lumens)
				- 4000K (390 lumens)
				- 6000K (378 lumens)
KSR97195	145mm	135mm	40mm	9W - 3000K (705 lumens)
				- 4000K (750 lumens)
				- 6000K (710 lumens)



This product contains a light source of energy efficiency class G

KSR Lighting Aftersales: 023 92 674343

E-mail: aftersales@ksrlighting.com