



Read these instructions before commencing installation. Please give these instructions to the owner/occupier after installation to retain for future reference/maintenance.

Available finishes: White, Black or Satin Chrome

IP20 240VAC~50Hz 2.5W

These fittings are Class II and do not need to be Earthed

Important Information

It is recommended that these luminaires are installed and fitted by a qualified electrician ensuring the installation complies with current IEE wiring regulations & local building control.

These products are designed for connection to a 240V~50Hz supply.

Any faulty, broken or damaged luminaires should be replaced immediately.

KSR will not accept responsibility for any claims arising from a poor installation.

Please Note: The limited warranty shall be deemed null and void in the following circumstances:

Failure by the installer, end user or any third party to exercise caution to protect any covered product or part from outside damage, humidity conditions, fluctuations in the electrical system or physical abuse as well as failure related to workmanship in the installation of the products or parts.

Important User Advice

Always safely isolate the mains supply before installing/servicing.

Please note this luminaire is Non Dimmable.

General maintenance and cleaning should be performed at least quarterly.

With the mains power isolated, Clean product outer using a damp cloth,

do not use any abrasive cleaners. At the end of life the luminaire is classed as

WEEE under directive 2014/30/EU and should be disposed of in accordance with local legislation.

Installation Procedure

Check that the luminaire is suitable for the intended application.

Make sure mains power is switched off.

Recessed Mounting:

Remove the fitting from the surface box provided, the surface box can be disposed off.

Drill a 55mm (+/-2mm) to receive the fitting.

Connect the mains cable as per the guide below using an appropriate connector and push the fitting into the cutout taking care to dress the cables and prevent any being snagged.

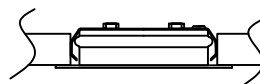
Surface Mount:

Fix the base to the surface using suitable fixings for surface type.

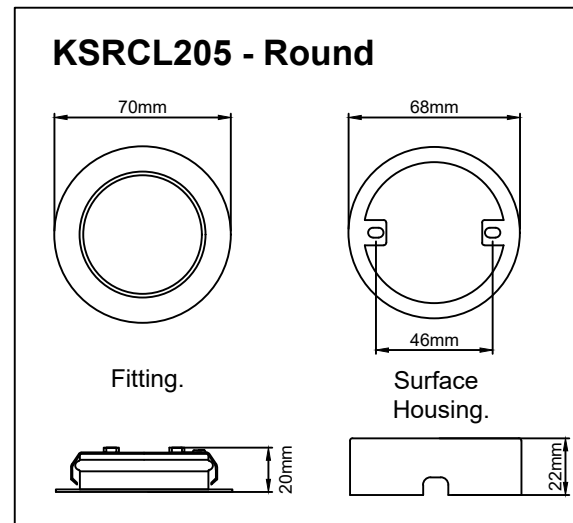
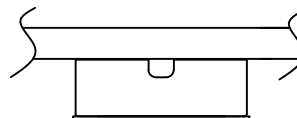
Terminating the mains wiring using an appropriate connector, this should be done outside the surface box. Push luminaire(s) back in to the surface box.

Turn on mains power and ensure luminaire(s) is(are) working correctly.

Recessed Option.

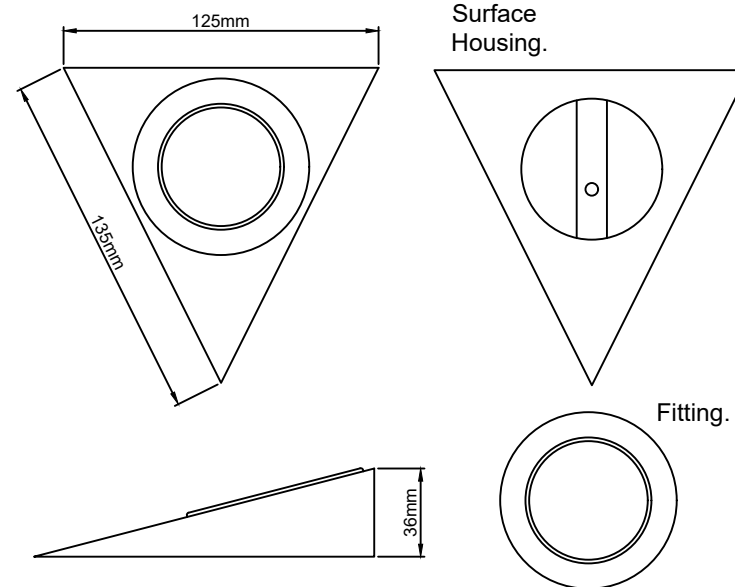


Surface Option.



Part Code & Description	CCT	CRI	Lumen output
KSRCL205 Morini Round Recessed / Surface 3CCT	3000K	80	245lm
	4000K	84	260lm
	6000K	82	255lm
KSRCL206 Morini Triangle Surface 3CCT	3000K	80	245lm
	4000K	84	260lm
	6000K	82	255lm

KSRCL206 - Triangle

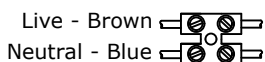


*This product contains a light source of energy efficiency class F
The LED light source and Control Gear in this product is Non-replaceable.*

KSR Lighting Aftersales: 023 92 674343
E-mail: aftersales@ksrlighting.com



Mains Supply



Luminaire

