



Read these instructions before commencing installation. Please give these instructions to the owner/occupier after installation to retain for future reference/maintenance.

IP20↑  
IP44↓

0.3m

240V~50Hz 6W-30W

These fittings are Class II and do not require to be Earthed.

**Important Information**

It is recommended that these luminaires are installed and fitted by a qualified electrician ensuring the installation complies with current IEE wiring regulations & local building control. These products are designed for connection to a 240V~50Hz supply. Any faulty, broken or damaged luminaires should be replaced immediately.

KSR will not accept responsibility for any claims arising from a poor installation.

Please Note: The limited warranty shall be deemed null and void in the following circumstances: Failure by the installer, end user or any third party to exercise caution to protect any covered product or part from outside damage, adverse temperature (normal operating ambient temperature 0 - 45°C), humidity conditions, fluctuations in the electrical system or physical abuse as well as failure related to workmanship in the installation of the products or parts.

**Important User Advice**

Always switch off mains supply before servicing.

This luminaire is suitable for exterior use, KSR recommends an at least quarterly cleaning schedule to preserve product finish and lumen output. Do not use Megger or similar high voltage instruments. Due to the fact this luminaire contains electronic components that maybe damaged by high test voltages, they must be disconnected from the circuit before testing. To prevent damage to the driver, do not mix with conventional magnetic ballasts on the same electrical circuit. At the end of life the luminaire is classed as WEEE under directive 2014/30/EU and should be disposed of in accordance with local legislation.

**Installation Procedure**

Locate the area's suitable to install these luminaires.

Cut a round hole in the ceiling (for hole cut out size refer overleaf) and ensure sufficient ceiling void without infringing on joists, water pipes or electrical cables.

Remove and retain the two screws securing the terminal cover on the primary side of the driver (PRI) lift the cover of the driver, Strip the supply cable as per Fig.1. Connect the driver to the mains supply Brown (Live) and Blue (Neutral).

Close the cover and re-secure using the 2 retained screws.

Plug the driver into the LED head using the plug and play connector.

Fig 2. Switch the CCT switch to the required LED colour and the output switch to the required power. Never switch the CCT or the wattage while powered on as this can damage the Luminaire.

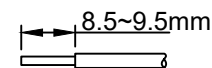
Insert the driver into the void ensuring adequate free space 75mm all around and 25mm above the fitting. Never cover the driver or fitting in insulation! Raise the spring retaining clips up to the side of the luminaire and insert into aperture. The spring clips will locate on the back of the ceiling holding the luminaire in place.

Turn on the mains supply to test the luminaire.

**\*Please note: Depending on the amount of fittings on a circuit you may have to upgrade the breaker due to the way electronic equipment starts up with higher inrush currents.**

Available finish:- White Only

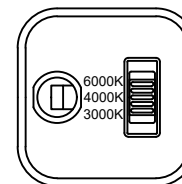
Fig. 1



Cable size 0.75~1.5mm

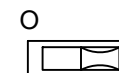
Fig 2.

CCT Selector Switch



Select Colour Temperature prior to switching on mains supply

Output Selector Switch



Select power Output prior to switching on mains supply

Product Code	Description	Wattage	Colour	Lumens
KSRDL388	Sorocco Select II S CCT 6/8W Multi Wattage LED Downlight <b>70 Deg Beam Angle</b>	6W	3000K	510
			4000K	565
			6000K	530
		8W	3000K	685
			4000K	735
			6000K	765
KSRDL389	Sorocco Select II M CCT 10/15W Multi Wattage LED Downlight <b>70 Deg Beam Angle</b>	10W	3000K	850
			4000K	930
			6000K	920
		15W	3000K	1250
			4000K	1435
			6000K	1375
KSRDL390	Sorocco Select II L CCT 20/30W Multi Wattage LED Downlight <b>70 Deg Beam Angle</b>	20W	3000K	1785
			4000K	2005
			6000K	1985
		30W	3000K	2515
			4000K	2830
			6000K	2785

*This product contains a light source of energy efficiency class F  
The LED light source and Control Gear in this product can be replaced by a professional.*






Available finish:- White Only

Read these instructions before commencing installation. Please give these instructions to the owner/occupier after installation to retain for future reference/maintenance.

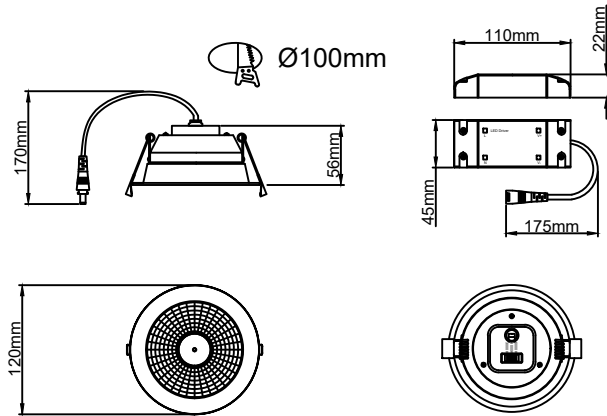
IP20↑  
IP44↓



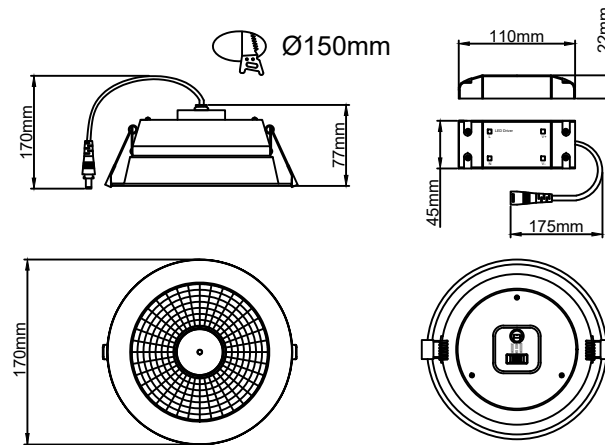


240V~50Hz 6W-30W

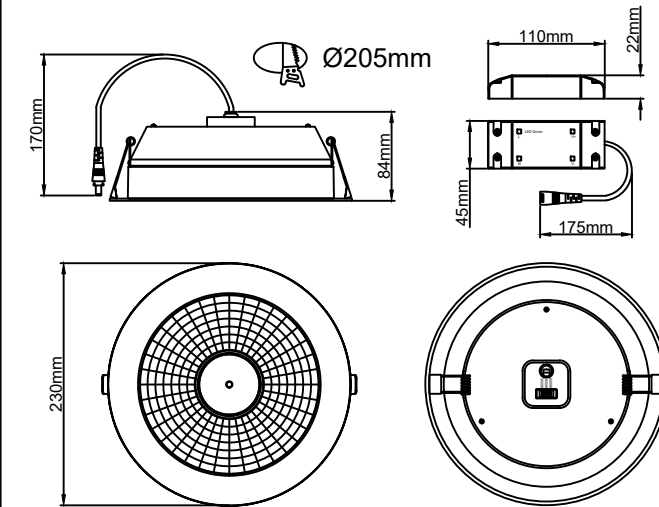
**KSRDL388 - 6W & 8W Downlight**



**KSRDL389 - 10W & 15W Downlight**



**KSRDL390 - 20W & 30W Downlight**



KSR Lighting Aftersales: 023 92 674343  
E-mail: aftersales@ksrlighting.com