

# 24V Constant Voltage Drivers

Accessories



## Product Information

Our 24V Constant Voltage LED driver range is available in 11 versions, these are suitable for products that require a 24V Constant Voltage such as our Navara LED tape or Mimis Mini Range.

With IP20, IP65 & IP67 drivers available this range covers a broad range of applications.

## Product Features

- 3 year warranty
- 24V Constant Voltage
- IP20/IP65/IP67
- Class I or II
- Polycarbonate Construction for IP20 & IP65 version
- Polycarbonate potted driver for IP65 version & Die cast aluminium potted driver for IP67 versions
- Mains Dimmable versions support leading and trailing edge dimming



# Product Specification

| Product Code | Product Description                       | Max load | Current rating | Voltage Range | Types of Dimming          | IP Rating | Protection Class |
|--------------|---|----------|----------------|---------------|---------------------------|-----------|------------------|
| KSRDL274     | 4W 24V Constant Voltage IP65 LED Driver   | 4W       | 0.17A          | 24            | Non-Dimmable              | 65        | II               |
| KSRDL276     | 240W 24V Constant Voltage LED Driver      | 240W     | 10A            | 24            | Non-Dimmable              | 67        | I                |
| KSRDL277     | 320W 24V Constant Voltage LED Driver      | 320W     | 13.34A         | 24            | Non-Dimmable              | 67        | I                |
| KSRDL287     | 20W 24V Constant Voltage Driver           | 20W      | 0.8A           | 24            | Non-Dimmable              | 67        | II               |
| KSRDL288     | 60W 24V Constant Voltage Driver           | 60W      | 1.3A           | 24            | Non-Dimmable              | 67        | II               |
| KSRDL289     | 100W 24V Constant Voltage Driver          | 100W     | 2.1A           | 24            | Non-Dimmable              | 67        | II               |
| KSRDL292     | 25W 24V Dimmable Constant Voltage Driver  | 25W      | 1.04A Max      | 24            | Leading and Trailing edge | 20        | II               |
| KSRDL293     | 50W 24V Dimmable Constant Voltage Driver  | 50W      | 2.08A Max      | 24            | Leading and Trailing edge | 20        | II               |
| KSRDL294     | 100W 24V Dimmable Constant Voltage Driver | 100W     | 4.2A Max       | 24            | Leading and Trailing edge | 20        | II               |
| KSRDL295     | 100W 24V Dimmable Constant Voltage Driver | 100W     | 4.2A Max       | 24            | Leading and Trailing edge | 67        | I                |
| KSRDL296     | 200W 24V Dimmable Constant Voltage Driver | 200W     | 8.3A Max       | 24            | Leading and Trailing edge | 67        | I                |

|                                  |            |
|----------------------------------|------------|
| <b>Nominal voltage</b>           | 220-240VAC |
| <b>Operating frequency</b>       | 50/60Hz    |
| <b>Ambient temperature range</b> | 0°C~+35°C  |

## Construction

KSRDL274-287-294

Body: Polycarbonate

KSRDL276-277 &

295-296 Body: Aluminium

## Standards

BSEN60598-1:2021    Luminaires – Part 1: General requirements and tests

[www.ksrlighting.com](http://www.ksrlighting.com)

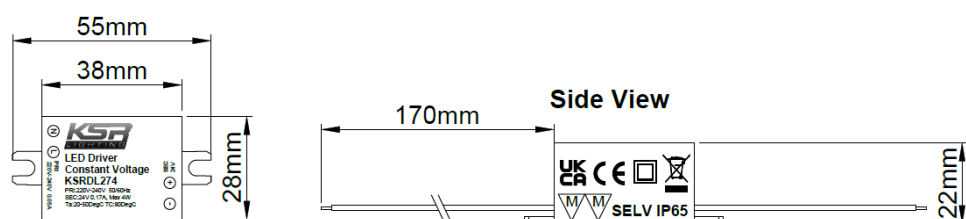
KSR 24V Constant Voltage LED Driver Range – DS-D – 26<sup>th</sup> October 2023

## In Conformity with

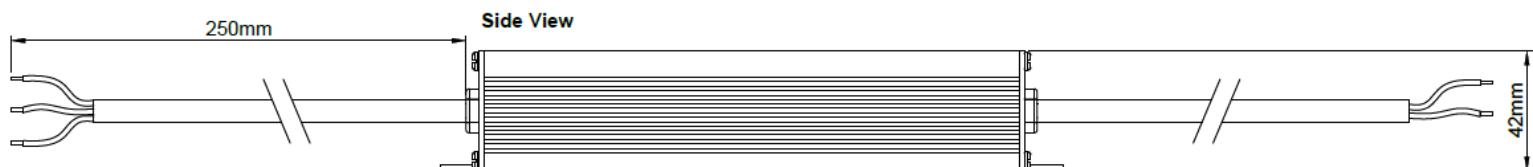
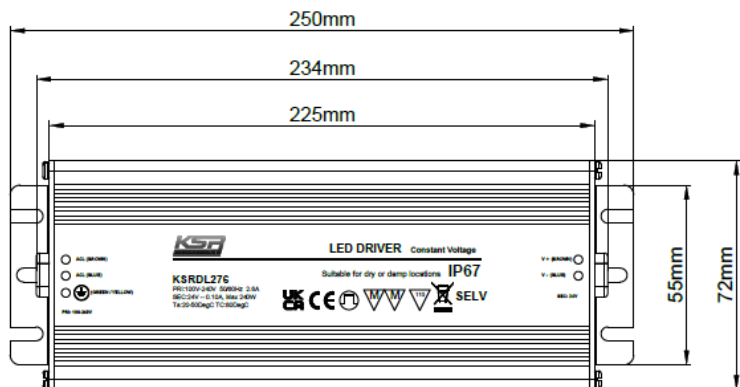
|      |  |
|------|--|
| LVD  | Low voltage directive 2014/35/EU                   |
| EMC  | Electromagnetic compatibility directive 2014/30/EU |
| ERP  | Energy related products directive 2019/2020/EC     |
| RoHS | Restriction of hazardous substances 2015/863/EU    |

## Product Dimensions

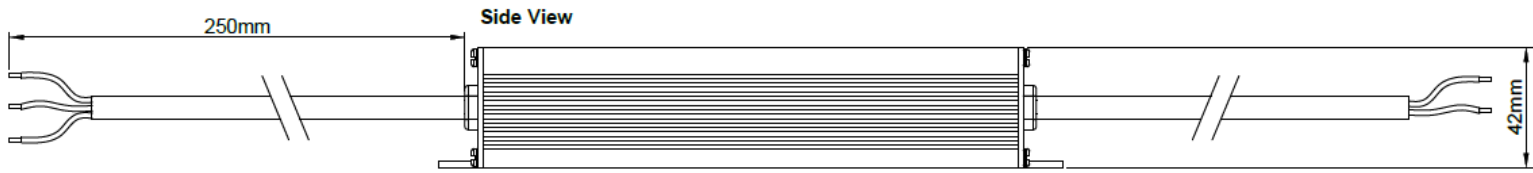
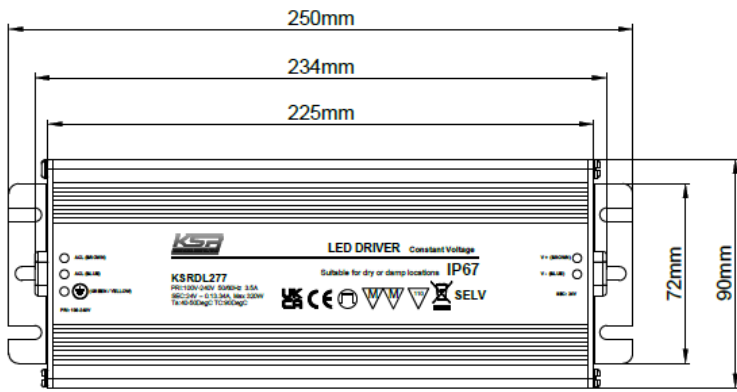
KSRDL274 - Top View



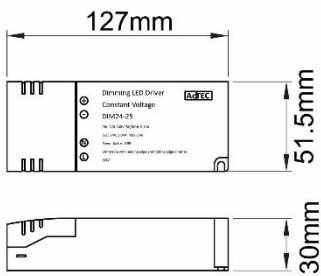
KSRDL276 - Top View



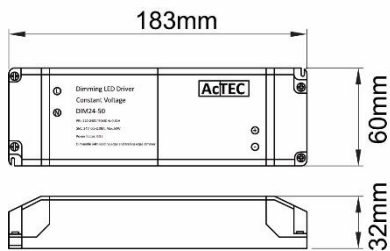
**KSRDL277 - Top View**



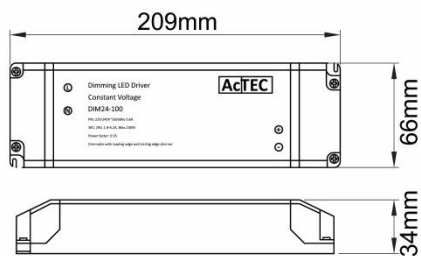
**KSRDL292**



**KSRDL293**

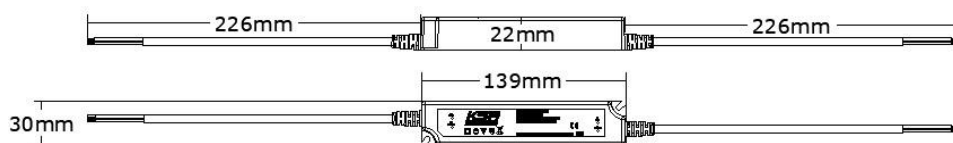


**KSRDL294**

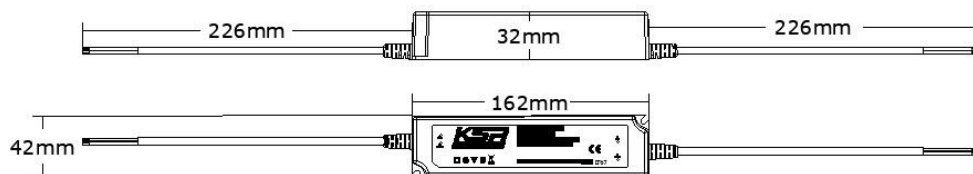


# Product Dimensions Continued

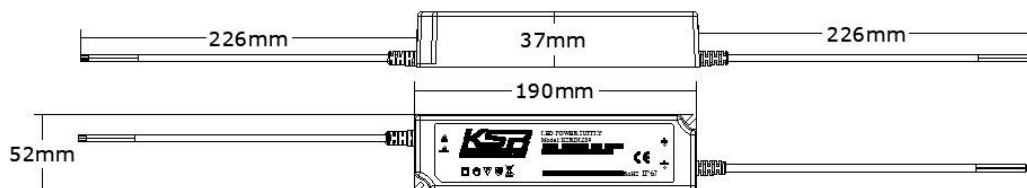
## KSRDL287



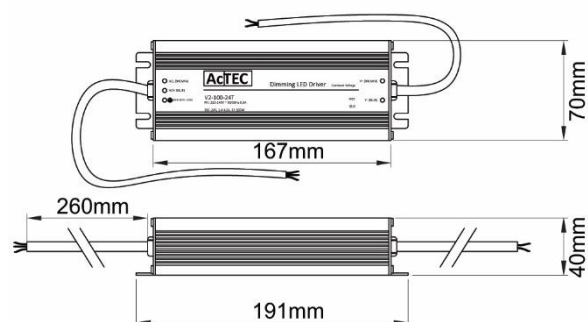
## KSRDL288



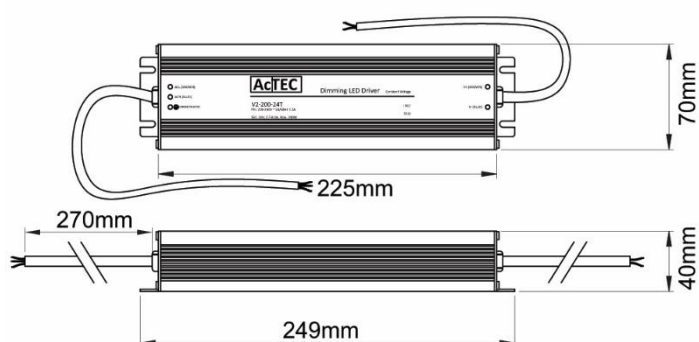
## KSRDL289



## KSRDL295



## KSRDL296



KSR Lighting is constantly developing and improving its products. For this reason, all product descriptions in this data sheet are intended as a general guide, and KSR may change specifications from time to time in the interest of product development, without prior notification or public announcement. All descriptions in this data sheet present only general particulars of the goods to which they refer and shall not form part of any contract. Data in this guide has been obtained in controlled experimental conditions. However, KSR Lighting cannot accept any liability arising from the reliance on such data to the extent permitted.