

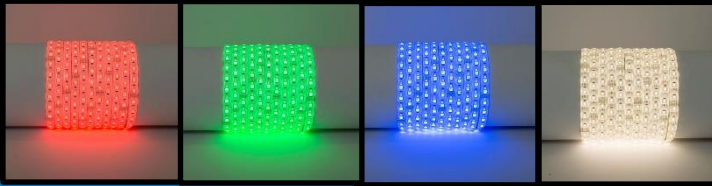


LED Strip Wall RF Touch Control Panels



Data Sheet

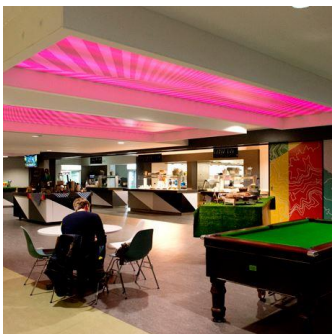
LED Strip Lighting



Product Information

Our LED Strip Wall Touch Control Panels are ideal for lighting applications where controlled feature lighting is required specific to the installation. With Single Colour, CCT, RGB & RGBW as well as RGB & CCT Versions available as Mains or battery-operated Touch Wall Controllers the possibilities are endless.

This range is well suited to residential and commercial applications.



Product Features

- 5-year warranty
- IP20
- Touch Control up to 4 Zones
- Mains or Battery-operated versions available (Require 2 x AAA Batteries**)
- Class II* Class III**
- Black or White Glass Front options
- Radio Frequency Wireless Control (30M Max)
- For use with 12V or 24V Constant Voltage LED Drivers / Strip
- To be used with Receiver/Controllers

Product Specification

Product Code - Mains Operated	Product Description – Plate size - 86mm x 86mm & 12mm Deep (Recess depth – 24mm)	Single Colour	CCT	RGB	RGBW	RGB+CCT
KSR95200*	Navara Single Colour 240V Dimming Wall Panel Black	Green	Red	Red	Red	Red
KSR95201*	Navara Single Colour 240V Dimming Wall Panel White	Green	Red	Red	Red	Red
KSR95202*	Navara RGB/RGBW Colour 240V Dimming Wall Panel Black	Red	Red	Green	Green	Red
KSR95203*	Navara RGB/RGBW Colour 240V Dimming Wall Panel White	Red	Red	Green	Green	Red
KSR95204*	Navara Universal 240V Dimming Wall Panel Black	Green	Green	Green	Green	Green
KSR95205*	Navara Universal 240V Dimming Wall Panel White	Green	Green	Green	Green	Green
Product Code – Battery Operated	Product Description - Plate size - 86mm x 86mm & 22mm Deep					
KSR95207**	Navara Single Colour Battery Dimming Wall Panel Black	Green	Red	Red	Red	Red
KSR95208**	Navara Single Colour Battery Dimming Wall Panel White	Green	Red	Red	Red	Red
KSR95209**	Navara Dual CCT Colour Battery Dimming Wall Panel Black	Red	Green	Red	Red	Red
KSR95210**	Navara Dual CCT Colour Battery Dimming Wall Panel White	Red	Green	Red	Red	Red
KSR95211**	Navara RGB/RGBW Colour Battery Dimming Wall Panel Black	Red	Red	Green	Green	Red
KSR95212**	Navara RGB/RGBW Colour Battery Dimming Wall Panel White	Red	Red	Green	Green	Red
KSR95213**	Navara RGB+CCT Colour Battery Dimming Wall Panel Black	Red	Red	Red	Red	Green
KSR95214**	Navara RGB+CCT Colour Battery Dimming Wall Panel White	Red	Red	Red	Red	Green
Product Code	Product Description					
KSR9564	Navara Receiver/Controller	Green	Green	Green	Green	Red
KSR95215	Navara RGBCTA Receiver/Controller	Red	Red	Red	Red	Green

Construction

Housing: Aluminium & Polycarbonate

Front Plate: Glass

Standards

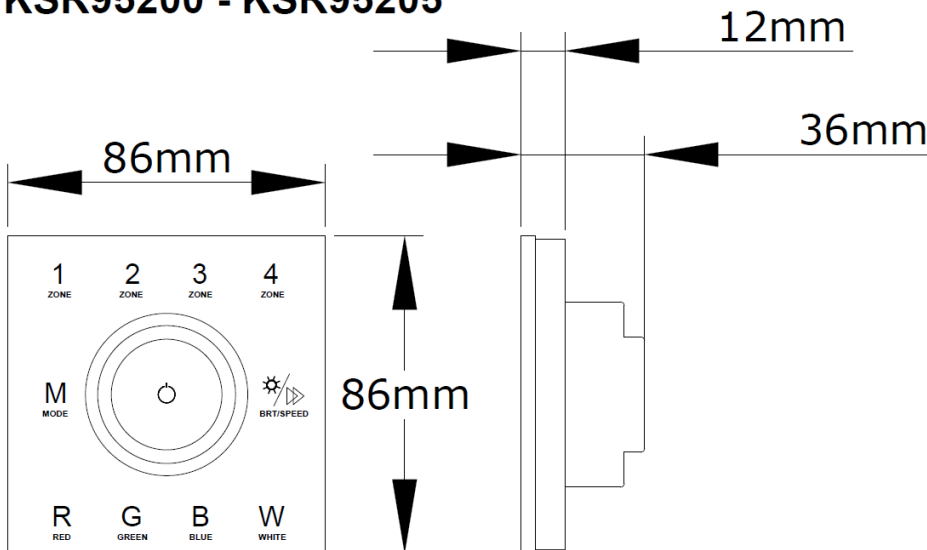
BSEN60598-1:2015 Luminaires – Part 1: General requirements and tests

In Conformity with

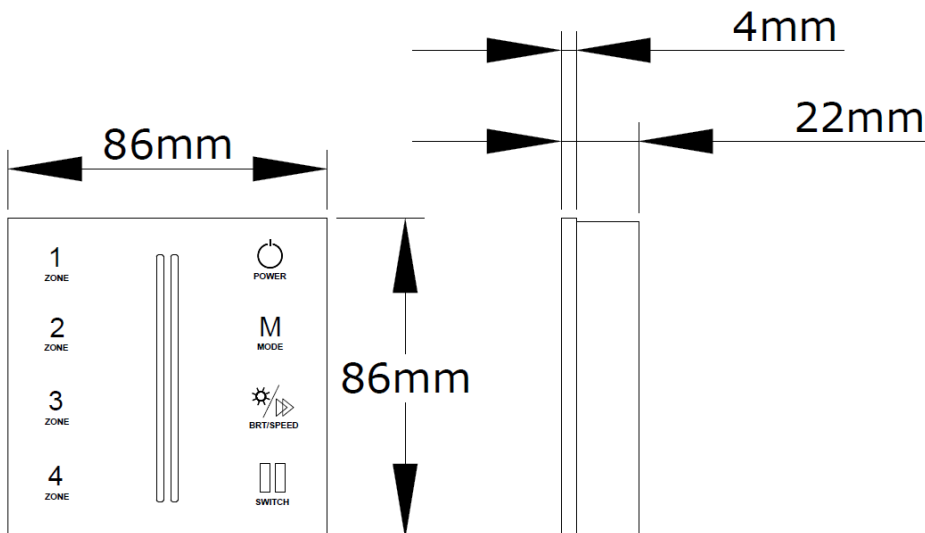
LVD	Low voltage directive 2014/35/EU
EMC	Electromagnetic compatibility directive 2014/30/EU
ERP	Energy related products directive 2009/125/EC
RoHS	Restriction of hazardous substances 2011/65/EU

Product Dimensions

KSR95200 - KSR95205



KSR95207 - KSR95214



KSR Lighting is constantly developing and improving its products. For this reason, all product descriptions in this data sheet are intended as a general guide, and KSR may change specifications from time to time in the interest of product development, without prior notification or public announcement. All descriptions in this data sheet present only general particulars of the goods to which they refer and shall not form part of any contract. Data in this guide has been obtained in controlled experimental conditions. However, KSR Lighting cannot accept any liability arising from the reliance on such data to the extent permitted.