

Sorocco II LED Range

Commercial Downlights



Product Information

The Sorocco II LED Range are a multi-wattage and 3CCT IP44 LED Downlight range that provide the Ultimate commercial downlight solution and are perfect for downlighting any area. They come with a Triple CCT function which you can change the colour kelvin via the switch on the back of the luminaire and you can change the output wattage to suit the light level required.

Complete with a 5-year warranty for your peace of mind.

Product Features

- 5-year warranty
- IP44 from the front only
- Class II
- High efficiency LEDs up to 100 lumens per watt
- Switch between 3000K, 4000K and 6000K
- CRI: Ra>80
- Set the output of the fitting via the drive current selector switch located on the driver.
- Emergency option available
- Dimming options available on request :- Dali, DSI, Switch Dim, Corridor Function (Please specify Wattage When Ordering).
- L80/B30 – 50,000hrs

Product Specification

Product Code	Product Description	Wattage (W)	CCT (K)	Lumens (lm)	Beam Angle	CRI (Ra)	Energy Efficiency Class 2021	Protection Class
KSRDL388	Sorocco II S 6W/8W LED Commercial Downlight	6W	3000K	510	70°	>80	F	II
			4000K	565				
			6000K	530				
		8W	3000K	685				
			4000K	735				
			6000K	765				
KSRDL389	Sorocco II M 10W/15W LED Commercial Downlight	10W	3000K	850	70°	>80	F	II
			4000K	930				
			6000K	920				
		15W	3000K	1250				
			4000K	1435				
			6000K	1375				
KSRDL390	Sorocco II L 20W/30W LED Commercial Downlight	20W	3000K	1785	70°	>80	F	II
			4000K	2005				
			6000K	1925				
		30W	3000K	2516				
			4000K	2830				
			6000K	2785				

Nominal voltage	220~240VAC
Operating frequency	50Hz
Ambient temperature range	0°C~+35°C
Start time	< 0.5 sec
IP rating	44

Product Code	Total Circuit Power	Circuit Current (A)	Driver (mA)	Power Factor (PF)	In Rush Current
KSRDL388 – 6W	5.5w including driver losses	0.035	150mA	0.66	0.198A Max Peak
KSRDL388 – 8W	7.5w including driver losses	0.043	230mA	0.72	0.469A Max Peak
KSRDL389 – 10W	9.5w including driver losses	0.051	250mA	0.77	1.922A Max Peak
KSRDL389 – 15W	13.6w including driver losses	0.071	350mA	0.81	2.401A Max Peak
KSRDL390 – 20W	18.8w including driver losses	0.089	500mA	0.90	2.350A Max Peak
KSRDL390 – 30W	27.6w including driver losses	0.125	700mA	0.94	1.425A Max Peak

Standards

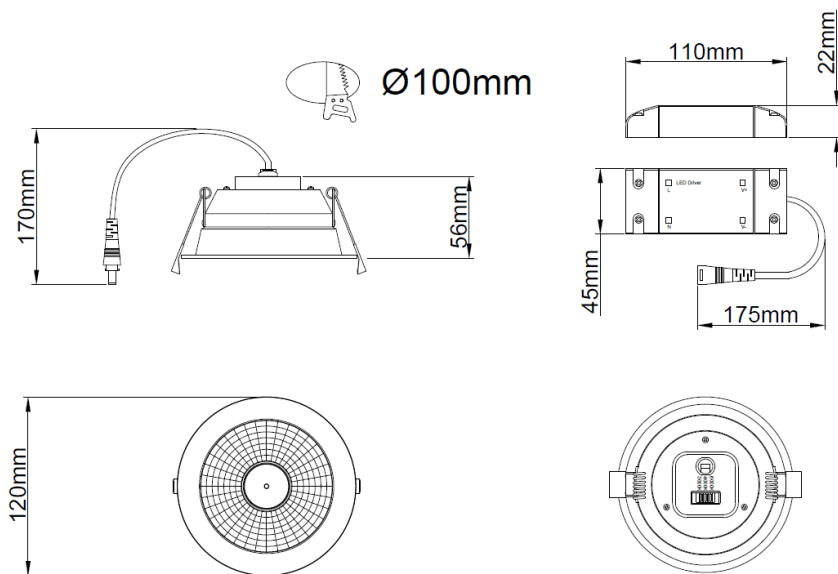
BSEN60598-1:2021 Luminaires – Part 1: General requirements and tests

In Conformity with

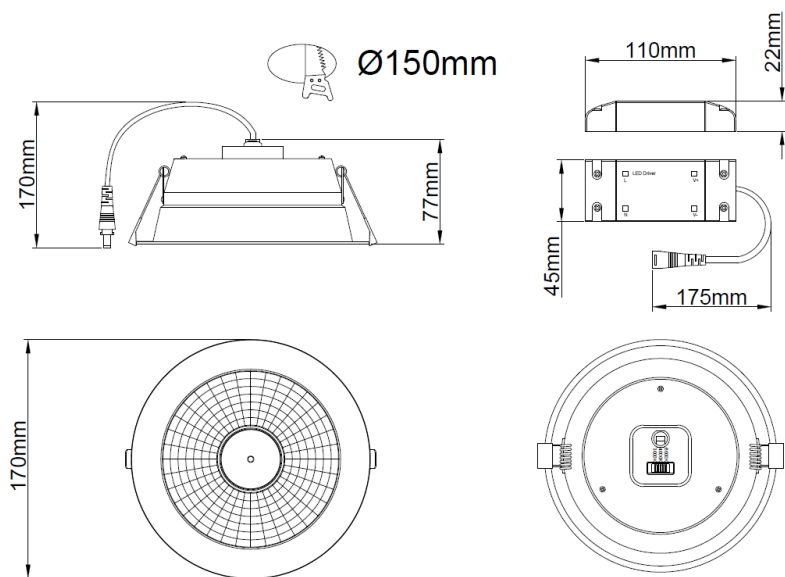
LVD	Low voltage directive 2014/35/EU
EMC	Electromagnetic compatibility directive 2014/30/EU
ERP	Energy related products directive 2019/2020/EC
RoHS	Restriction of hazardous substances 2015/863/EU

Product Dimensions

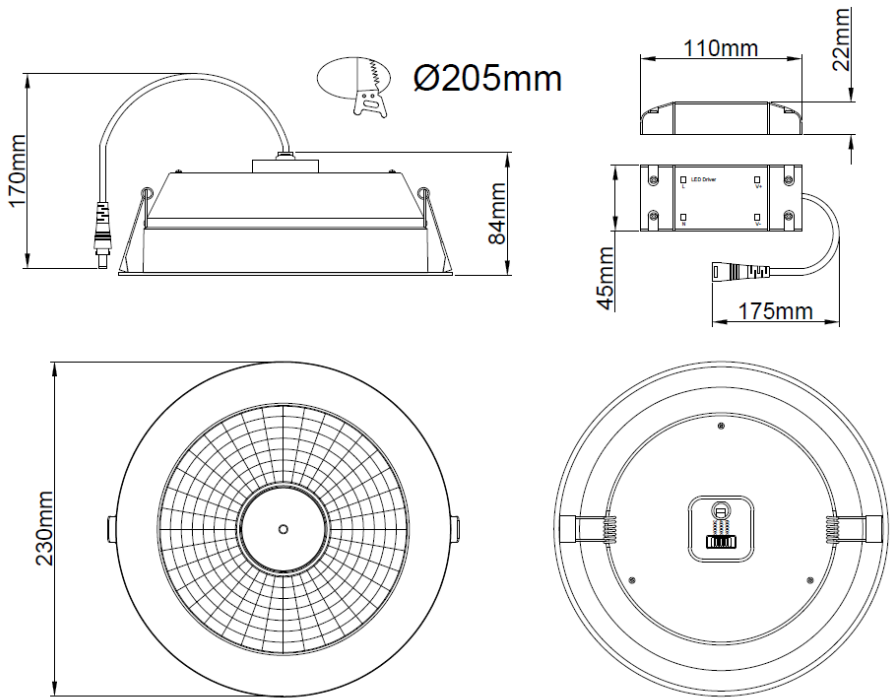
KSRDL388 - 6W & 8W Downlight



KSRDL389 - 10W & 15W Downlight



KSRDL390 - 20W & 30W Downlight



KSR Lighting is constantly developing and improving its products. For this reason, all product descriptions in this data sheet are intended as a general guide, and KSR may change specifications from time to time in the interest of product development, without prior notification or public announcement. All descriptions in this data sheet present only general particulars of the goods to which they refer and shall not form part of any contract. Data in this guide has been obtained in controlled experimental conditions. However, KSR Lighting cannot accept any liability arising from the reliance on such data to the extent permitted.