

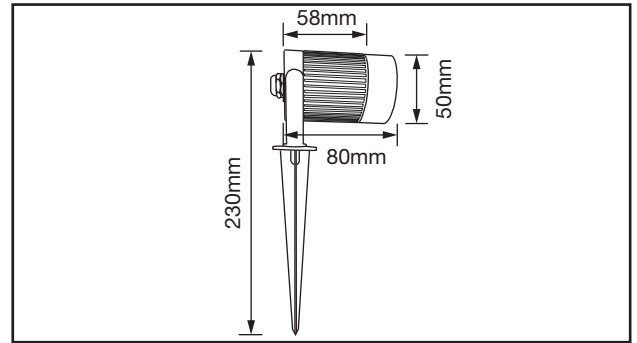
ASPK500F/**

5W LED Spike Luminaire

Excalibur

PRODUCT FEATURES

- Halogen Style Lens
- Supplied With Spike
- Cast Aluminium Body
- Pre-Flexed To 2m Of Cable
- Interchangeable Colour Filters Included



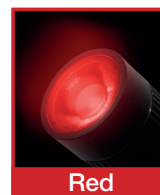
TECHNICAL SPECIFICATIONS

PRODUCT CODE	ASPK500F/30	ASPK500F/40
Luminous Flux (LM)	420lm	440lm
Useful Luminous Flux (LM)	410lm	420lm
CCT (Kelvin)	3000K	4000K
Beam Angle (°)	30°	30°
SDCM	<6	<6
CRI	≥80	≥80
Operating Voltage (V)	220-240V	220-240V
Max Output Power (W)	5W	5W
Operating Current (A max)	0.022A	0.022A
Power Factor (Pf)	>0.5	>0.5
Body Material	Aluminium	Aluminium
Frame Colour	Black	Black
Switching Cycles	100,000	100,000
Ingress Protection	IP65	IP65
Ambient Operating Temperature (°C)	-30°C~65°C	-30°C~65°C
Input Frequency (Hz)	50/60Hz	50/60Hz
Guarantee	2 Years	2 Years
Cable Length	2m	2m
Lifetime (L70 B50)	25,000 Hrs	25,000 Hrs

Anti-Glare Cowl Included



Interchangeable Colour Filters Included



--	--	--	--	--	--	--	--	--	--	--	--	--