

KSRFRD388 Firebreak Qr Select Tilt

Fire Rated Downlight



Data Sheet

Product Information

The **FireBreak Qr Select Tilt Multi Wattage** is a dual wattage & 4CCT **IP65 LED Tilt** Downlight that is the perfect low energy downlight solution for downlighting any area. They come with a **Quad CCT** functionality allowing you to **change the colour kelvin** with a flick of a switch on the back of the luminaire removing the need to have multiple downlights for different areas. Paired with the **Power Selector Switch** allowing the **Wattage to be changed** giving 8 different options in one downlight out of the box and is **phase dimmable** as standard.

Product Features

- 5-year warranty
- Class II
- IP65 (From the front when installed)
- 58° Beam angle
- 85mm Diameter (72mm Cut-out & 68mm Void Depth Req'd)
- 15 Degree Tilt
- 30 min fire rated
- High efficiency up to 126 lumens per circuit watt
- 4CCT Selectable - 2700K, 3000K, 4000K and 6000K
- CRI: Ra>83
- Switch between 4W or 5.5W
- Supplied with 2 Part Plug & Play connector
- See website for Dimmer Lists
- Coloured rim options available
- Can be loosely covered in insulation
- L70/B10 – 54,000hrs

Product Specification

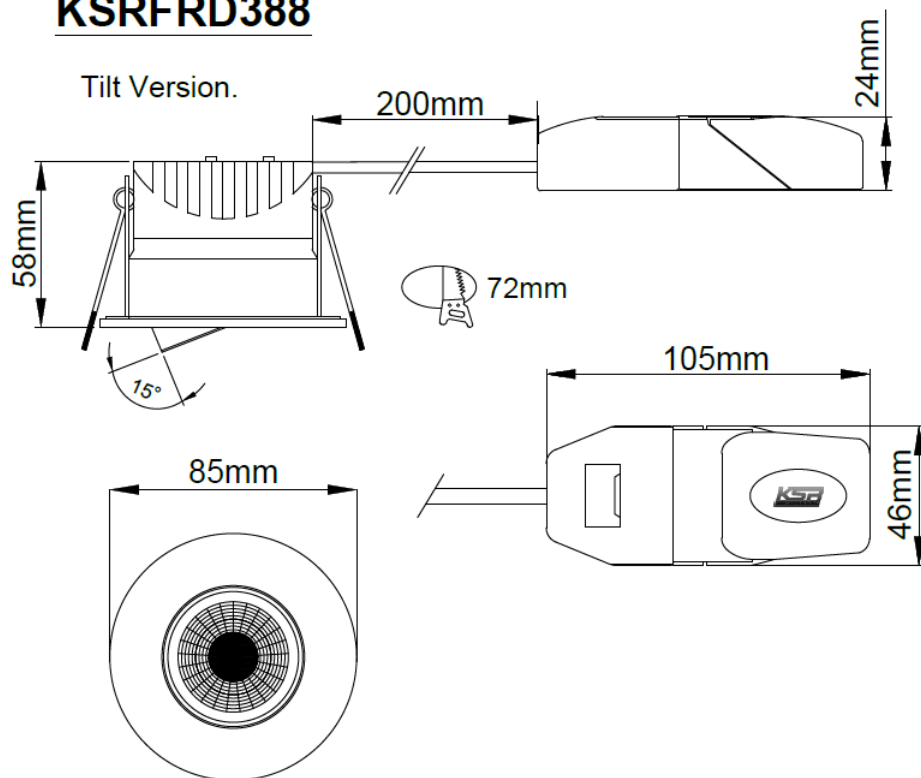
Product Code	Product Description	Wattage (W)	CCT (K)	Lumens (lm)	Beam Angle	CRI (Ra)	Energy Efficiency Class	Protection Class
KSRFRD388	Firebreak Qr Multi Wattage & 4CCT LED Tilt Downlight White - 72mm Cut Out & 68mm Void Depth Req'd	4W	2700K	470lm	58°	84	E	II
			3000K	480lm		85		
			4000K	505lm		87		
			6000K	495lm		83		
		5.5W	2700K	600lm		83		
			3000K	620lm		85		
			4000K	655lm		87		
			6000K	640lm		84		

Available Bezels and other Accessories	
KSRFRD333	FireBreak Qr Tilt Black Detachable Bezel
KSRFRD334	FireBreak Qr Tilt Satin Chrome Detachable Bezel
KSRFRD356	FireBreak Qr Converter Plate White
KSRFRD357	FireBreak Qr Converter Plate Chrome
KSRFRD358	FireBreak Qr Converter Plate Satin Chrome

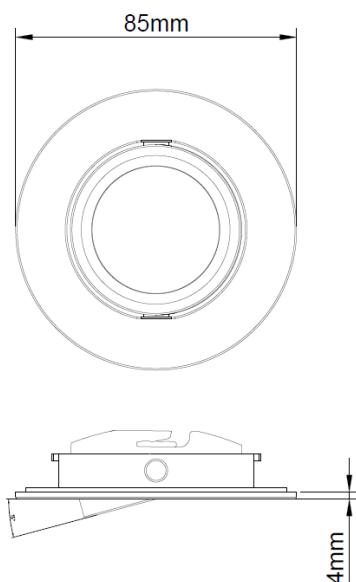
Nominal voltage	220~240VAC
Operating frequency	50Hz
Ambient temperature range	0°C~+35°C
Start time	< 0.5 sec
IP rating	65

Product Dimensions

KSRFRD388



KSRFRD333 & 334



KSR Lighting is constantly developing and improving its products. For this reason, all product descriptions in this data sheet are intended as a general guide, and KSR may change specifications from time to time in the interest of product development, without prior notification or public announcement. All descriptions in this data sheet present only general particulars of the goods to which they refer and shall not form part of any contract. Data in this guide has been obtained in controlled experimental conditions. However, KSR Lighting cannot accept any liability arising from the reliance on such data to the extent permitted.