

Read these instructions before commencing installation. Please give these instructions to the owner/occupier after installation to retain for future reference/maintenance.

IP20↑ IP65↓ UK CA CE 0.3m 240V~50Hz 4W & 5.5W

These fittings are Class II and do not require to be Earthed

**Important Information**

It is recommended that these luminaires are installed and fitted by a qualified electrician ensuring the installation complies with current wiring regulations & local building control. These products are designed for connection to a 240V~50Hz supply. Any faulty, broken or damaged luminaires should be replaced immediately. KSR will not accept responsibility for any claims arising from a poor installation. Please Note: The limited warranty shall be deemed null and void in the following circumstances: Failure by the installer, end user or any third party to exercise caution to protect any covered product or part from outside damage, adverse temperature (normal operating ambient temperature 0 ~ +35°C), humidity conditions, fluctuations in the electrical system or physical abuse as well as failure related to workmanship in the installation of the products or parts.

**Important User Advice**

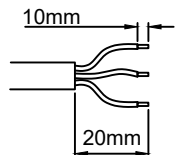
Always switch off mains supply before servicing. This luminaire is suitable for indoor use only and should not be fitted to damp or wet surfaces such as freshly plastered or painted ceilings. Do not use Megger or similar high voltage instruments. Due to the fact this luminaire contains electronic components that maybe damaged by high test voltages, they must be disconnected from the circuit before testing. To prevent damage to the driver, do not mix with conventional magnetic ballasts on the same electrical circuit. At the end of life the luminaire is classed as WEEE and should be disposed of in accordance with local legislation.

**Installation Procedure**

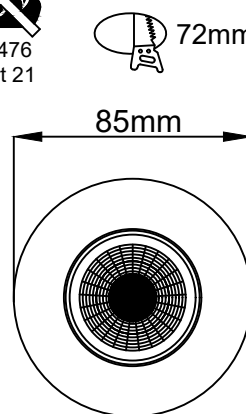
KSR recommends that a sample hole is cut in some scrap material to familiarise yourself with the installation. Once you are completely satisfied: Locate the area's suitable to install these luminaires. Cut a 72mm round hole in the ceiling and ensure sufficient ceiling void without infringing on joists, water pipes or electrical cables. Connect the mains supply to the connector block (Blue - Neutral - Earth (for continuation only) and Brown - Live). The terminal allows mains loop in/loop out connections, if not looping through, either of the L, E & N inputs can be used. Install the terminal cover/strain relief by pushing down until it grips the outer cable insulation. Select the preferred colour temperature by sliding the selector switch to either - 2700K, 3000K, 4000K or 6000K. Proceed to Select the preferred Output via the Wattage Selector Switch either 4W or 5.5W - This must be done before the luminaire is powered on. Press springs back and place luminaire body into aperture. set the tilt part to the desired angle. If you are installing one of the KSR detachable rims remove the standard white rim by pulling the rim off of the main fitting, do not twist the rim. Attach new trim by pushing and snapping it into place. This downlight can be loosely covered with mineral wool insulation.

\*Please note: Depending on the amount of Qr fittings on a circuit you may have to upgrade the breaker type due to the way electronic LED drivers start up with higher inrush currents compared to halogen lighting. If dimming see the recommended dimmers list over the page or visit [www.ksrlighting.com](http://www.ksrlighting.com) for information on the latest compatible dimmers any other questions please call our sales office

**Installer Note:**  
To ensure a good connection strip back 10mm of insulation and push the cable firmly into the terminal block.

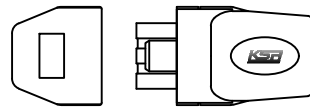


KSR Lighting Aftersales: 023 92 674343  
E-mail: [aftersales@ksrlighting.com](mailto:aftersales@ksrlighting.com)

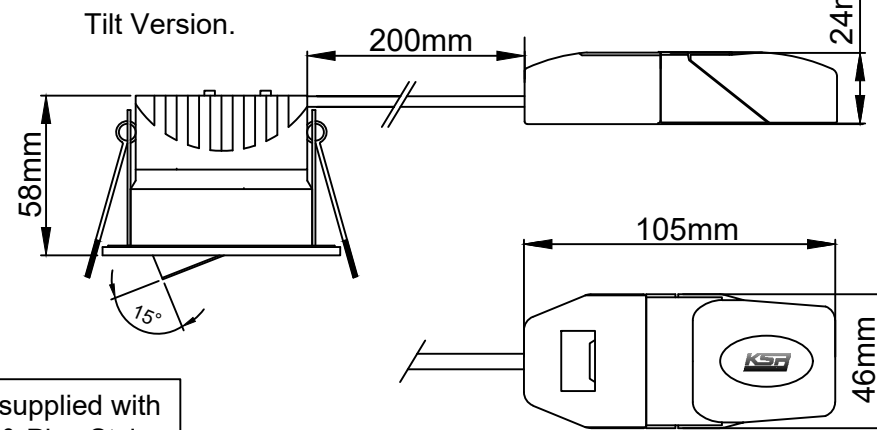


85mm

Fittings are supplied with 2 Part Plug & Play Style Connector Blocks.

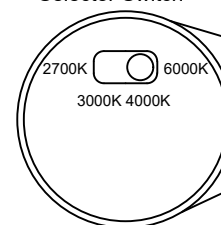


Available finishes: White (as supplied), Black or Satin Chrome

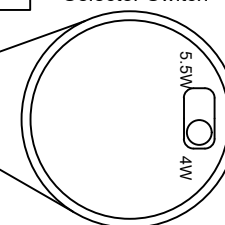


**WARNING:**  
Do not change the CCT or Wattage of this downlight with the product switched on, all changes must be done with the power off.

Colour Temperature Selector Switch



Wattage Selector Switch



Rim Size	Cut out	Void Depth Required	Beam Angle	Dimmable	CCT	Lumen output	
						4W	5.5W
85mm	72mm	68mm	58°	Yes	2700K	470lm	600lm
					3000K	480lm	620lm
					4000K	505lm	655lm
					6000K	495lm	640lm

This product contains a light source of energy efficiency class E  
The LED light source and Control Gear in this product is Non-replaceable.